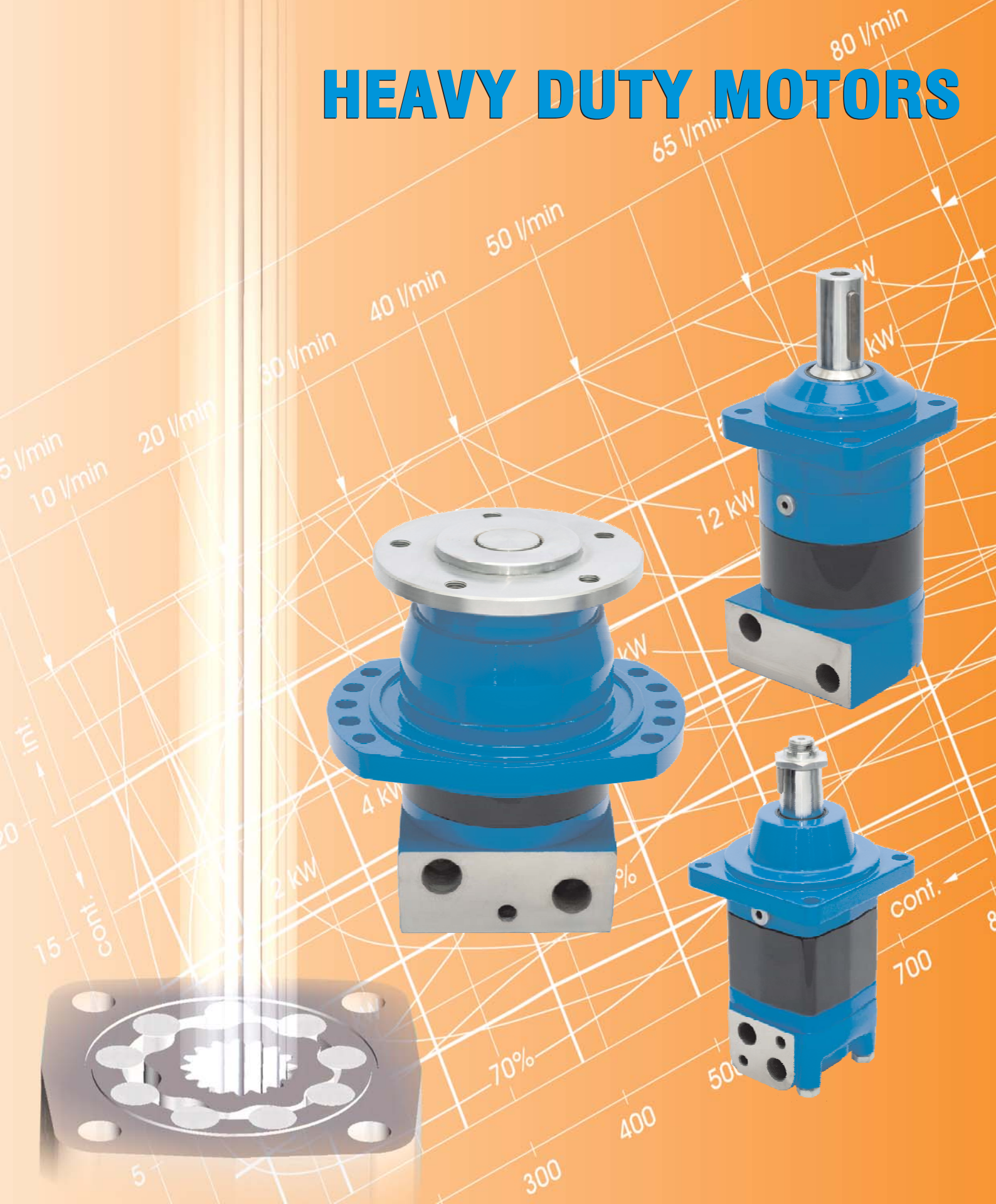
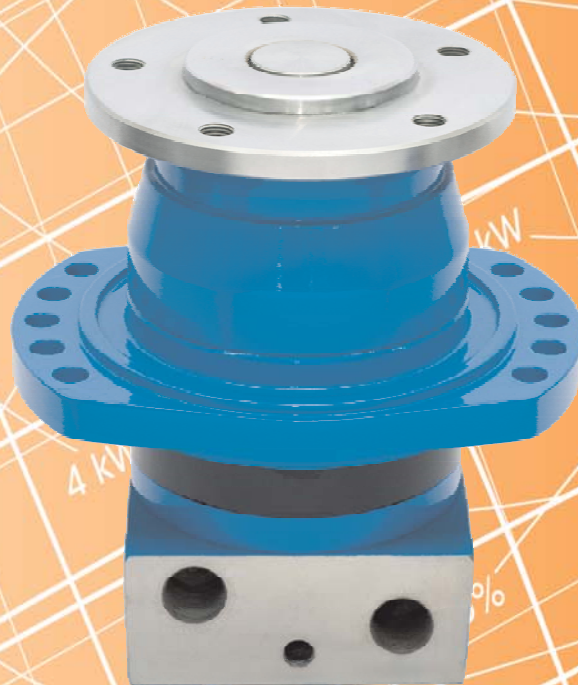




# M+S HYDRAULIC

## HEAVY DUTY MOTORS



# HEAVY DUTY HYDRAULIC MOTORS

## CONTENTS

	Page
● Hydraulic Motors Series MSWM .....	4
● Hydraulic Motors Series MTK .....	8
● Hydraulic Motors Series MTM .....	17
● Hydraulic Motors Series TMF .....	29
● Hydraulic Motors Series MVM .....	38
● Hydraulic Motors Series MVMC .....	43
● Hydraulic Motors Series VMF .....	48
● Motor Special Features .....	52
● Motors with Speed Sensor .....	53
● Application Calculation .....	55

# DISC VALVE HYDRAULIC MOTORS

---

## GENERAL INFORMATION:

---

Orbit motors convert hydraulic energy (pressure, oil flow) into mechanical energy (torque, speed). Hydraulic orbit motors operate on the principle of an internal gear (rotor) rotating within a fixed external gear (stator). The internal gear transmits the torque generated by the application of pressure from hydraulic oil fed into motor which is then delivered via the motor's output shaft. Orbit motors have high starting torque and constant output torque at wide speed range. The output shaft runs on tapered roller bearings and can absorb high axial and radial forces.

### DISTRIBUTOR VALVE

MSWM, MTK, MTM, TMF, MVM, MVMC, VMF series motors have disk valve: the distributor valve has been separated from output shaft and is driven by short cardan shaft. A balance plate counterbalances the hydraulic forces around the distributor valve. It gives the motors high efficiency - even at high pressures, and good starting characteristics.

### GEAR WHEEL SET

There are two forms of gear wheel set: Gerotor set has plain teeth and Roll-gerotor set with teeth fitted with rollers. MSWM, MTK, MTM, TMF, MVM, MVMC, VMF series motors have roll-gerotor set. The rollers reduce local stress and the tangential reaction forces on the rotor reducing friction to a minimum. This gives long operating life and better efficiency even at continuous high pressures.

## FEATURES:

---

### Standard Motor

The standard motor mounting flange is located as close to the output shaft as possible. This type of mounting supports the motor close to the shaft load. This mounting flange is also compatible with many standard gear boxes.

### Wheel Motor

The wheel motor mounting flange is located near the center of the motor which permits part or all of the motor to be located inside the wheel or roller hub. In traction drive applications, loads can be positioned over the motor bearings for best bearing life. This wheel motor mounting flange provides design flexibility in many applications.

### Short Motor

This motor is assembled without the output shaft, bearings and bearing housing and has the same drive components as the standard motors. The short motor is especially suited for applications such as gear boxes, winch, reel and roll drives. Short motor applications must be designed with a bearing supported internal spline to mate with the short motor drive. Product designs using these hydraulic motors provide considerable cost savings.

### Low Leakage

LL Series hydraulic motors are designed to operate at the whole standard range of working conditions (pressure drop and frequency of rotation), but with considerable decreased volumetric losses in the drain ports. This motors are suitable for hydraulic systems with series-connected motors with demands for low leakage.

### Low Speed Valve

LSV feature optimizes the motor for low-speed performance. Motors with this valving provide very low speed while maintaining high torque. They are designed to run continuously at low speed (up to 200 RPM) at normal pressure drop and reduced flow. Optimal run is guaranteed at frequency of rotation from 20 to 50 RPM. Motors with this valving have an increased starting pressure and are not recommended for using at pressure drop less than 40 bar [580 PSI].

### Motors with Speed Sensor

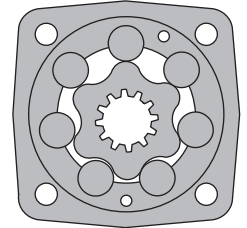
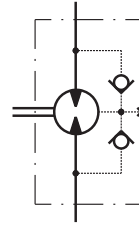
Motors are available with integrated inductive speed sensor. The output signal is a standardized voltage signal that can be used to control the speed of a motor. The torque and the radial load of the motor are not affected by the installation of speed sensor.

# HYDRAULIC MOTORS MSWM



## APPLICATION

- » Sawmill machines
- » Woodworking machines
- » Metal working machines
- » Agriculture machines
- » Road building machines
- » Mining machinery
- » Food industries
- » Special vehicles etc.



## CONTENTS

Specification data .....	5
Dimensions and mounting .....	6
Permissible shaft loads .....	6
Shaft extensions .....	7
Order code .....	7

## OPTIONS

- » Model- Disc valve, roll-gerotor
- » Wheel mount
- » Side and rear ports
- » Shafts- straight, splined and tapered
- » Metric and BSPP ports
- » Other special features

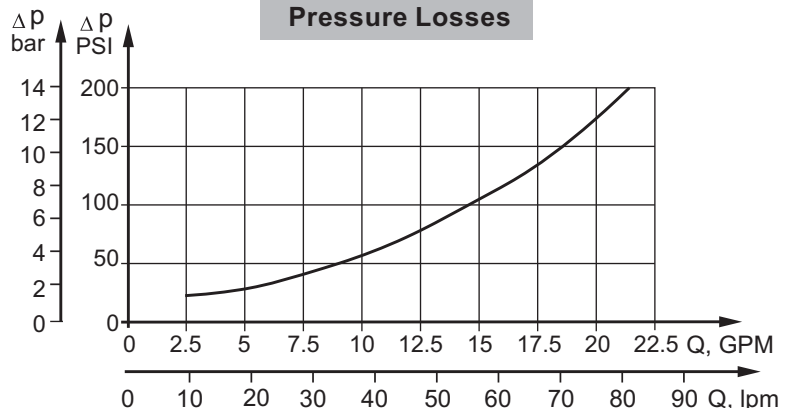
## GENERAL

<b>Max. Displacement,</b> cm <sup>3</sup> /rev [in <sup>3</sup> /rev]	397 [24.2]
<b>Max. Speed,</b> [RPM]	560
<b>Max. Torque,</b> daNm [lb-in]	cont.: 90 [7965] int: 110 [9735]
<b>Max. Output,</b> kW [HP]	24 [32.2]
<b>Max. Pressure Drop,</b> bar [PSI]	cont.: 200 [2900] int: 225 [3270]
<b>Max. Oil Flow,</b> lpm [GPM]	90 [24]
<b>Min. Speed,</b> [RPM]	5
<b>Pressure fluid</b>	Mineral based- HLP(DIN 51524) or HM(ISO 6743/4)
<b>Temperature range,</b> °C [°F]	-40÷140 [-40÷284]
<b>Optimal Viscosity range,</b> mm <sup>2</sup> /s [SUS]	20÷75 [98÷347]
<b>Filtration</b>	ISO code 20/16 (Min. recommended fluid filtration of 25 micron)

### Oil flow in drain line

Pressure drop bar [PSI]	Viscosity mm <sup>2</sup> /s [SUS]	Oil flow in drain line lpm [GPM]
140 [2030]	20 [98]	1,5 [.396]
	35 [164]	1 [.264]
210 [3045]	20 [98]	3 [.793]
	35 [164]	2 [.528]

### Pressure Losses



## SPECIFICATION DATA

Type		MSWM 160	MSWM 200	MSWM 250	MSWM 315	MSWM 400
<b>Displacement, cm<sup>3</sup>/rev [in<sup>3</sup>/rev]</b>		159,7 [9.74]	200 [12.2]	250 [15.3]	314,9 [19.2]	397 [24.2]
<b>Max. Speed, [RPM]</b>	Cont.	470	375	300	240	185
	Int.*	560	450	360	285	225
<b>Max. Torque daNm [lb-in]</b>	Cont.	46 [4070]	56,6 [5010]	70,8 [6270]	90,0 [7965]	90,0 [7965]
	Int.*	51,5 [4560]	64,5 [5710]	80,6 [7135]	96,0 [8500]	97,0 [8585]
	Peak**	51,5 [4560]	65 [5755]	80,6 [7135]	108 [9560]	110 [9735]
<b>Max. Output kW [HP]</b>	Cont.	18,6 [24.9]	18,1 [24.3]	18,0 [24.1]	17,0 [22.8]	11,0 [14.7]
	Int.*	24,0 [32.2]	24,0 [32.2]	23,8 [31.9]	20,2 [27.1]	12 [16.1]
<b>Max. Pressure Drop bar [PSI]</b>	Cont.	200 [2900]	200 [2900]	200 [2900]	200 [2900]	160 [2320]
	Int.*	225 [3270]	225 [3270]	225 [3270]	220 [3190]	175 [2540]
	Peak**	225 [3270]	225 [3270]	225 [3270]	225 [3270]	200 [2900]
<b>Max. Oil Flow lpm [GPM]</b>	Cont.	75 [20]	75 [20]	75 [20]	75 [20]	75 [20]
	Int.*	90 [24]	90 [24]	90 [24]	90 [24]	90 [24]
<b>Max. Inlet Pressure bar [PSI]</b>	Cont.	210 [3045]	210 [3045]	210 [3045]	210 [3045]	210 [3045]
	Int.*	250 [3625]	250 [3625]	250 [3625]	250 [3625]	250 [3625]
	Peak**	300 [4350]	300 [4350]	300 [4350]	300 [4350]	300 [4350]
<b>Max. Return Pressure with Drain Line bar [PSI]</b>	Cont.	140 [2030]	140 [2030]	140 [2030]	140 [2030]	140 [2030]
	Int.*	175 [2540]	175 [2540]	175 [2540]	175 [2540]	175 [2540]
	Peak**	210 [3045]	210 [3045]	210 [3045]	210 [3045]	210 [3045]
<b>Max. Starting Pressure with Unloaded Shaft, bar [PSI]</b>		10 [145]	10 [145]	10 [145]	10 [145]	10 [145]
<b>Min. Starting Torque daNm [lb-in]</b>		36,9 [3270]	46,2 [4090]	58,0 [5135]	73,8 [6530]	72,0 [6370]
<b>Min. Speed***, [RPM]</b>		6	6	6	5	5

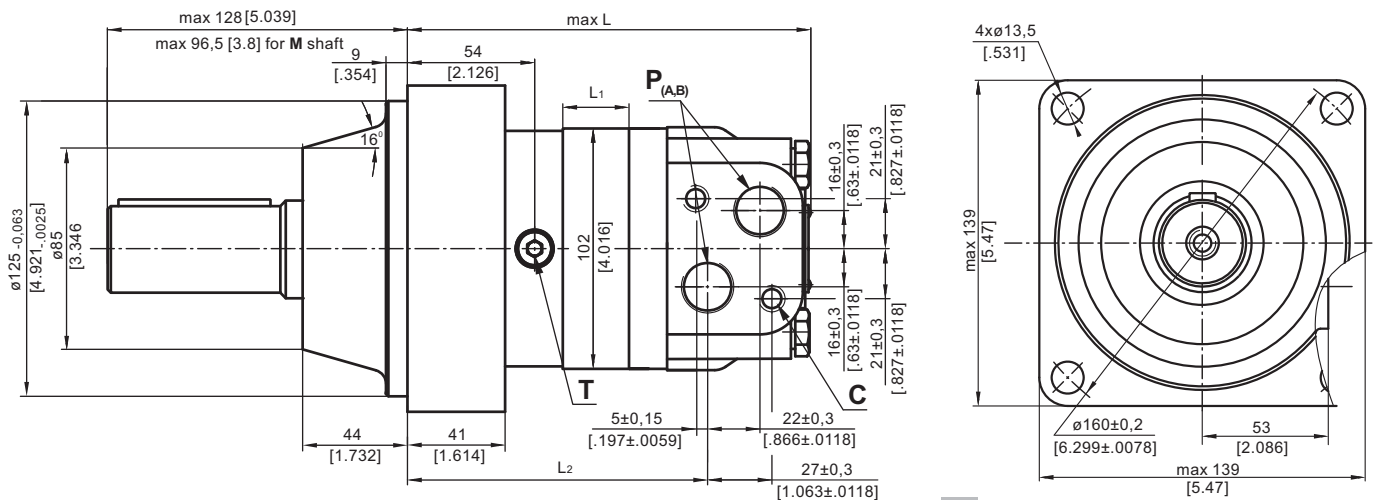
\* Intermittent operation: the permissible values may occur for max. 10% of every minute.

\*\* Peak load: the permissible values may occur for max. 1% of every minute.

\*\*\* For speeds lower than given, consult factory or your regional manager.

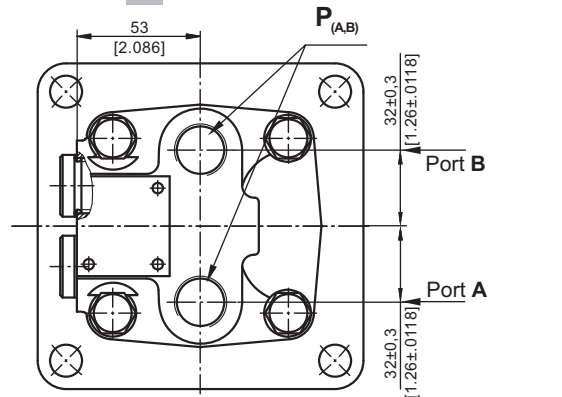
1. Intermittent speed and intermittent pressure must not occur simultaneously.
2. Recommended filtration is per ISO cleanliness code 20/16. A nominal filtration of 25 micron or better.
3. Recommend using a premium quality, anti-wear type mineral based hydraulic oil HLP(DIN51524) or HM ( ISO 6743/4).  
If using synthetic fluids consult the factory for alternative seal materials.
4. Recommended minimum oil viscosity 13 mm<sup>2</sup>/s [70 SUS] at 50°C [122°F].
5. Recommended maximum system operating temperature is 82°C [180°F].
6. To assure optimum motor life fill with fluid prior to loading and run at moderate load and speed for 10-15 minutes.

**DIMENSIONS AND MOUNTING DATA**



**C:** 2xM10-12 mm [.47 in] depth  
**P<sub>(A,B)</sub>:** 2xG1/2 or 2xM22x1,5-15 mm [.59 in] depth  
**T:** G ¼ or M14x1,5- 12 mm [.47 in] depth (plugged)

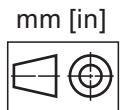
**E Rear Ports**



Type	L, mm [in]	L2, mm [in]	L1, mm [in]
MSWM 160	170,5[6.71]	129,3[5.09]	27,8 [1.09]
MSWME 160	177,5[6.99]		
MSWM 200	177,5[6.99]	136,3[5.37]	34,8 [1.37]
MSWME 200	184,5[7.26]		
MSWM 250	186,0[7.32]	145,0[5.71]	43,5 [1.71]
MSWME 250	193,0[7.60]		
MSWM 315	197,5[7.78]	157,3[6.19]	54,8 [2.16]
MSWME 315	206,5[8.13]		
MSWM 400	212,0[8.35]	171,0[6.73]	69,4 [2.73]
MSWME 400	219,0[8.62]		

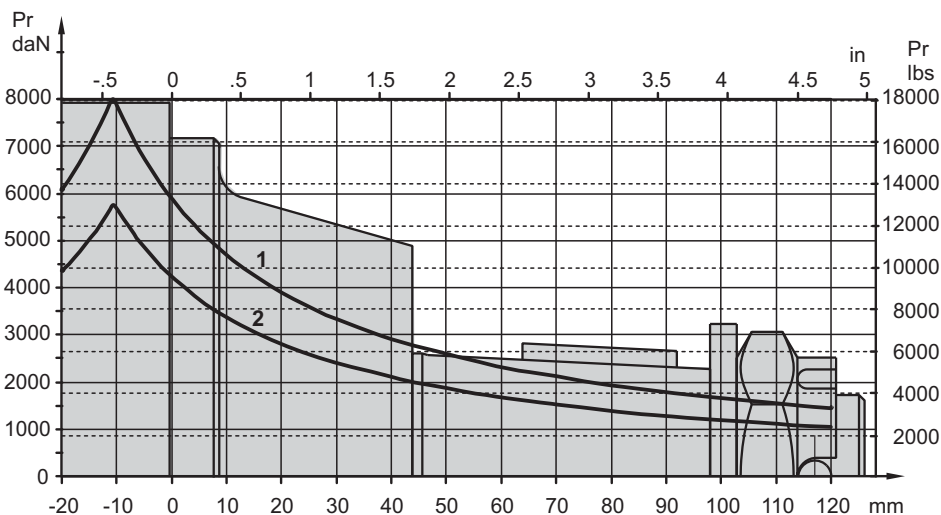
**Standard Rotation** Viewed from Shaft End  
 Port A Pressurized - CW  
 Port B Pressurized - CCW

**Reverse Rotation** Viewed from Shaft End  
 Port A Pressurized - CCW  
 Port B Pressurized - CW



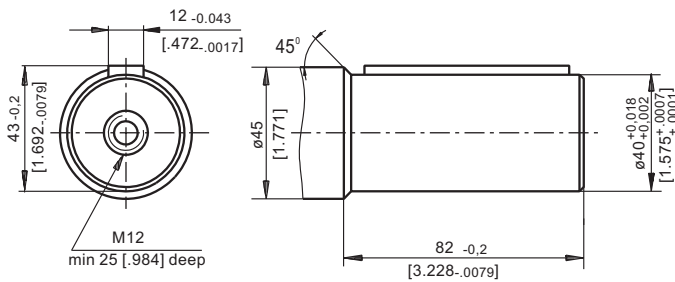
**PERMISSIBLE SHAFT LOADS**

The output shaft runs in tapered bearings that permit high axial and radial forces. Curve "1" shows max. radial shaft load at bearing life of 2000 hours at 100 RPM. Curve "2" shows max. radial shaft load at bearing life of 3000 hours at 200 RPM.

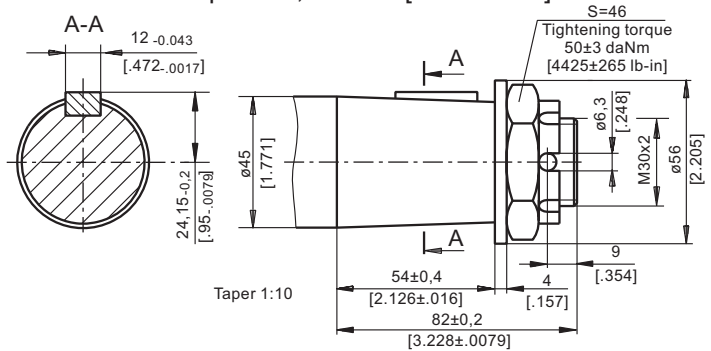


**SHAFT EXTENSIONS**

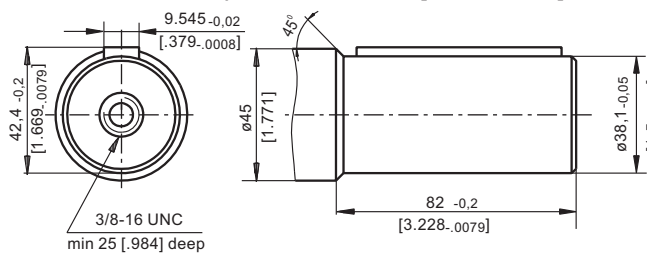
**C** - $\varnothing$ 40 straight, Parallel key A12x8x70 DIN 6885  
Max. Torque 132,8 daNm [11755 In-in]



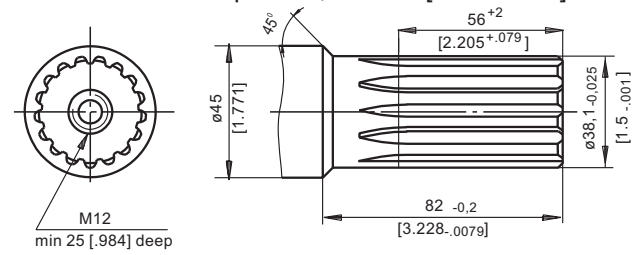
**K** -tapered 1:10, Parallel key B12x8x28 DIN 6885  
Max. Torque 210,7 daNm [18650 lb-in]



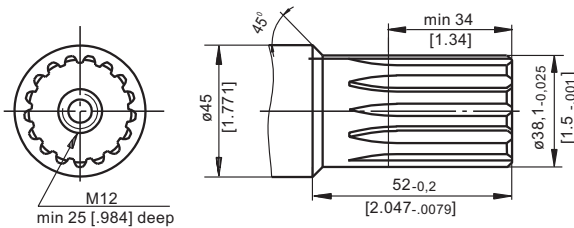
**CO** - $\varnothing$ 1½" straight, Parallel key 3/8"x 3/8"x 2¼" BS46  
Max. Torque 132,8 daNm [11755 In-in]



**SH** - $\varnothing$ 1½" splined 17T, DP 12/24 ANSI B92.1-1976  
Max. Torque 132,8 daNm [11755 In-in]



**M** - $\varnothing$ 1½" splined 17T, DP 12/24 ANSI B92.1-1976  
Max. Torque 132,8 daNm [11755 In-in]



**ORDER CODE**

1	2	3	4	5	6
<b>M S W M</b>					

**Pos.1 - Port type**

omit - Side ports

**E** - Rear ports

**Pos.2 - Displacement code**

**160** - 159,7 cm<sup>3</sup>/rev [9.74 in<sup>3</sup>/rev]

**200** - 200,0 cm<sup>3</sup>/rev [12.20 in<sup>3</sup>/rev]

**250** - 250,0 cm<sup>3</sup>/rev [15.30 in<sup>3</sup>/rev]

**315** - 314,9 cm<sup>3</sup>/rev [19.20 in<sup>3</sup>/rev]

**400** - 397,0 cm<sup>3</sup>/rev [24.20 in<sup>3</sup>/rev]

**Pos.4 - Shaft Extensions\***

**C** -  $\varnothing$ 40 straight, Parallel key A12x8x70 DIN6885

**CO** -  $\varnothing$ 1½" straight, Parallel key 3/8"x 3/8"x 2¼" BS46

**K** -  $\varnothing$ 45 tapered 1:10, Parallel key B12x8x28 DIN6885

**SH** -  $\varnothing$ 1½" splined 17T ANS B92.1-1976

**M** -  $\varnothing$ 1½" splined 17T ANS B92.1-1976

**Pos. 4 - Ports**

omit - BSPP (ISO 228)

**M** - Metric (ISO 262)

**Pos. 5 - Special Features (see page 52)**

**Pos. 6 - Design Series**

omit - Factory specified

**NOTES:**

\* The permissible output torque for shafts must not be exceeded!

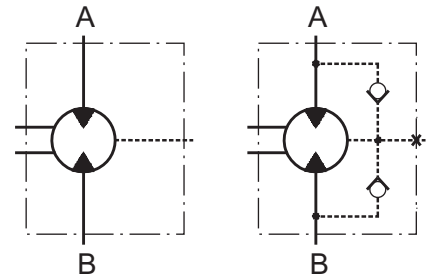
The hydraulic motors are mangano-phosphatized as standard.

# HYDRAULIC MOTORS MTK



## APPLICATION

- » Conveyors
- » Metal working machines
- » Machines for agriculture
- » Road building machines
- » Mining machinery
- » Food industries
- » Special vehicles
- » Plastic and rubber machinery etc.



## CONTENTS

Specification data .....	9
Dimensions and mounting .....	10÷13
Shaft extensions .....	14
Permissible shaft loads .....	15
Order code .....	16

## OPTIONS

- » Model- Disc valve, roll-gerotor
- » Flange mount with wheel mount
- » Side and rear ports
- » Shafts- straight, splined and tapered
- » Metric, SAE and BSPP ports
- » Other special features

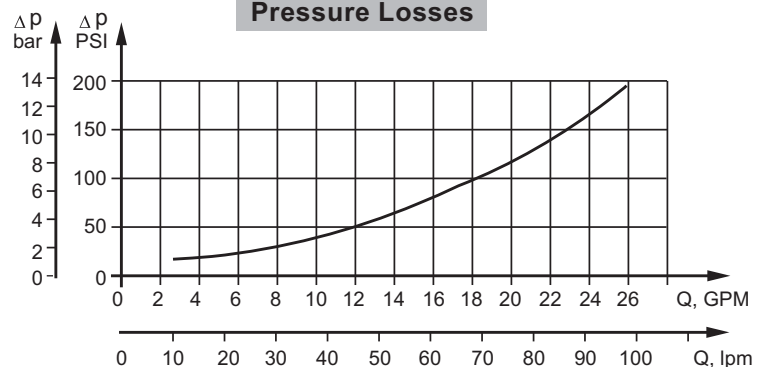
## GENERAL

<b>Displacement,</b>	cm <sup>3</sup> /rev [in <sup>3</sup> /rev]	157,9÷502,4 [9.63÷30.7]
<b>Max. Speed,</b>	RPM	159÷505
<b>Max. Torque,</b>	daNm [lb-in]	57÷109 [5045÷9650]
<b>Max. Output,</b>	kW [HP]	22 [30]
<b>Max. Pressure Drop,</b>	bar [PSI]	160÷250 [2320÷3626]
<b>Max. Oil Flow,</b>	lpm [GPM]	80 [21]
<b>Min. Speed,</b>	RPM	5÷10
<b>Permissible Shaft Loads,</b>	daN [lb]	Pa=1000 [2250]
<b>Pressure fluid</b>		Mineral based- HLP(DIN 51524) or HM(ISO 6743/4)
<b>Temperature range,</b>	°C [°F]	-30÷90 [-22÷194]
<b>Optimal Viscosity range,</b>	mm <sup>2</sup> /s [SUS]	20÷75 [98÷347]
<b>Filtration</b>		ISO code 20/16 (Min. recommended fluid filtration of 25 micron)

### Oil flow in drain line

Pressure drop bar [PSI]	Viscosity mm <sup>2</sup> /s [SUS]	Oil flow in drain line lpm [GPM]
100 [1450]	20 [98]	2,5 [.660]
	35 [164]	1,8 [.476]
140 [2030]	20 [98]	3,5 [.925]
	35 [164]	2,8 [.740]

### Pressure Losses





## SPECIFICATION DATA

Type	MTK 160	MTK 200	MTK 250	MTK 315	MTK 400	MTK 470	MTK 500	
<b>Displacement, cm<sup>3</sup>/rev [in<sup>3</sup>/rev]</b>	157,9 [9.63]	201,3 [12.28]	252,2 [15.38]	314,9 [19.2]	396,8 [24.2]	470,5 [28.7]	502,4 [30.65]	
<b>Max. Speed, [RPM]</b>	Cont.	505	400	320	255	200	170	159
	Int.*	630	500	400	315	250	210	199
<b>Max. Torque, daNm [lb-in]</b>	Cont.	57 [5045]	72 [6373]	91 [8055]	105 [9293]	107 [9470]	102 [9028]	109 [9648]
	Int.*	72,5 [6420]	92 [8143]	107 [9470]	131 [11595]	140 [12390]	133 [11772]	136 [12037]
<b>Max. Output, kW [HP]</b>	Cont.	22 [29.5]	22 [29.5]	21 [28.2]	20 [26.8]	17,5 [23.5]	14 [18.8]	14 [18.8]
	Int.*	27 [36.2]	27 [36.2]	25 [33.5]	23,5 [31.5]	22 [29.5]	17,5 [23.5]	17 [22.8]
<b>Max. Pressure Drop, bar [PSI]</b>	Cont.	250 [3626]	250 [3626]	250 [3626]	250 [3626]	200 [2900]	160 [2320]	160 [2320]
	Int.*	325 [4714]	325 [4714]	300 [4350]	300 [4350]	250 [3626]	200 [2900]	200 [2900]
<b>Max. Inlet Pressure, bar [PSI]</b>	Cont.	250 [3626]						
	Int.*	350 [5077]						
<b>Max. Oil Flow, lpm [GPM]</b>	Cont.	80 [21.1]						
	Int.*	100 [26.4]						
<b>Max. Starting Pressure with Unloaded Shaft, bar [PSI]</b>		8 [116]	8 [116]	7 [102]	7 [102]	7 [102]	7 [102]	7 [102]
<b>Min. Starting Torque, daNm [lb-in]</b>	at max. pressure drop cont.	43 [3806]	54 [4780]	68 [6020]	79 [6992]	80 [7080]	83 [7346]	84 [7435]
	at max. pressure drop int.*	54,5 [4824]	69 [6107]	80 [7080]	98,5 [8720]	105 [9294]	105 [9294]	105 [9294]
<b>Min. Speed****, RPM</b>		10						
<b>Max. Return Pressure without Drain Line, bar [PSI]</b>		see diagram						
<b>Max. Return Pressure with Drain Line, bar [PSI]</b>	Cont.	140 [2030]						
	Int.*	175 [2540]						
	Peak*	210 [3046]						

\* Intermittent operation: the permissible values may occur for max. 10% of every minute.

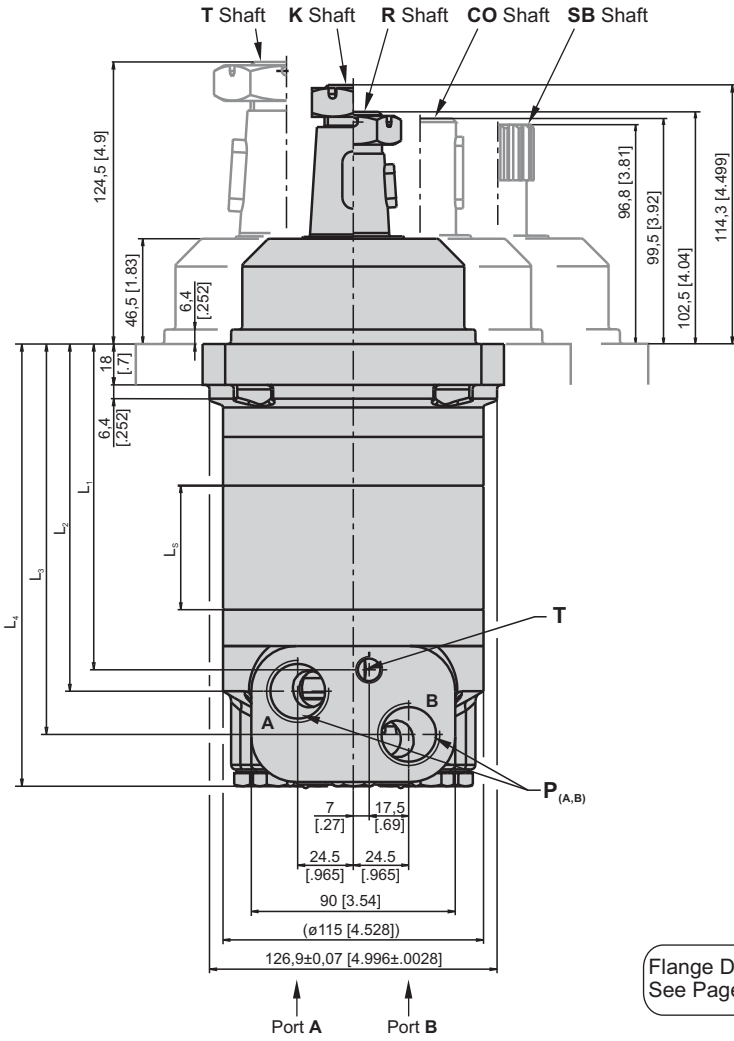
\*\* Peak load: the permissible values may occur for max. 1% of every minute.

\*\*\* For speeds of 5 RPM lower than given, consult factory or your regional manager.

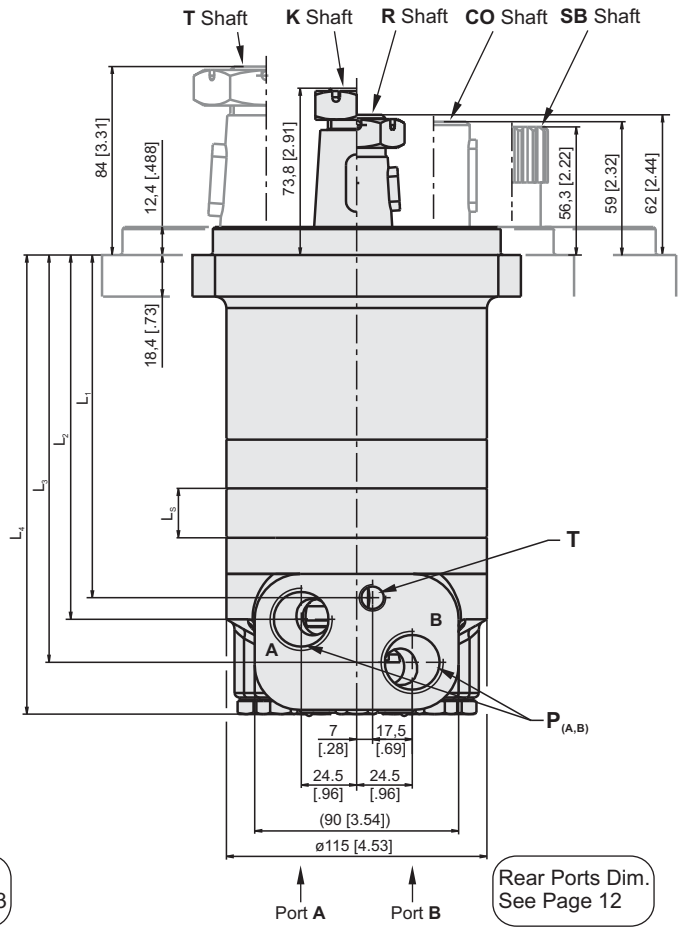
\*\*\*\* For speeds lower than given, consult factory or your regional manager.

- Intermittent speed and intermittent pressure must not occur simultaneously.
- Recommended filtration is per ISO cleanliness code 20/16. A nominal filtration of 25 micron or better.
- Recommend using a premium quality, anti-wear type mineral based hydraulic oil, HLP(DIN51524) or HM(ISO6743/4).  
If using synthetic fluids consult the factory for alternative seal materials.
- Recommended minimum oil viscosity 70 SUS [13 cSt] at 122°F [50°C].
- Recommended maximum system operating temperature is 180°F [82°C].
- To assure optimum motor life fill with fluid prior to loading and run at moderate load and speed for 10-15 minutes.

**DIMENSIONS - MTK W and MTK C**

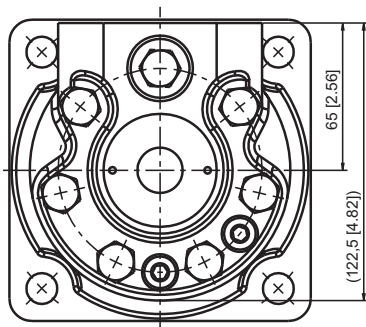


Shaft Dim.  
See Page 14



Flange Dim.  
See Page 13

Rear Ports Dim.  
See Page 12



	Versions				
	Side			Rear	
	2	3	4	6	8
<b>P (A,B)</b>	2xG 3/4	2xM27x2	2x1 1/16-12UN	2xG 1/2	2x 7/8-14UNF
<b>T</b>	G 1/4	M14x1,5	7/16-20UNF	G 1/4	7/16-20UNF

Type	Type	L <sub>s</sub> , mm [in]
MTKW160	MTKC160	21,8 [.86]
MTKW200	MTKC200	27,8 [1.09]
MTKW250	MTKC250	34,8 [1.37]
MTKW315	MTKC315	43,5 [1.71]
MTKW400	MTKC400	54,8 [2.16]
MTKW470	MTKC470	65,0 [2.56]
MTKW500	MTKC500	69,4 [2.73]

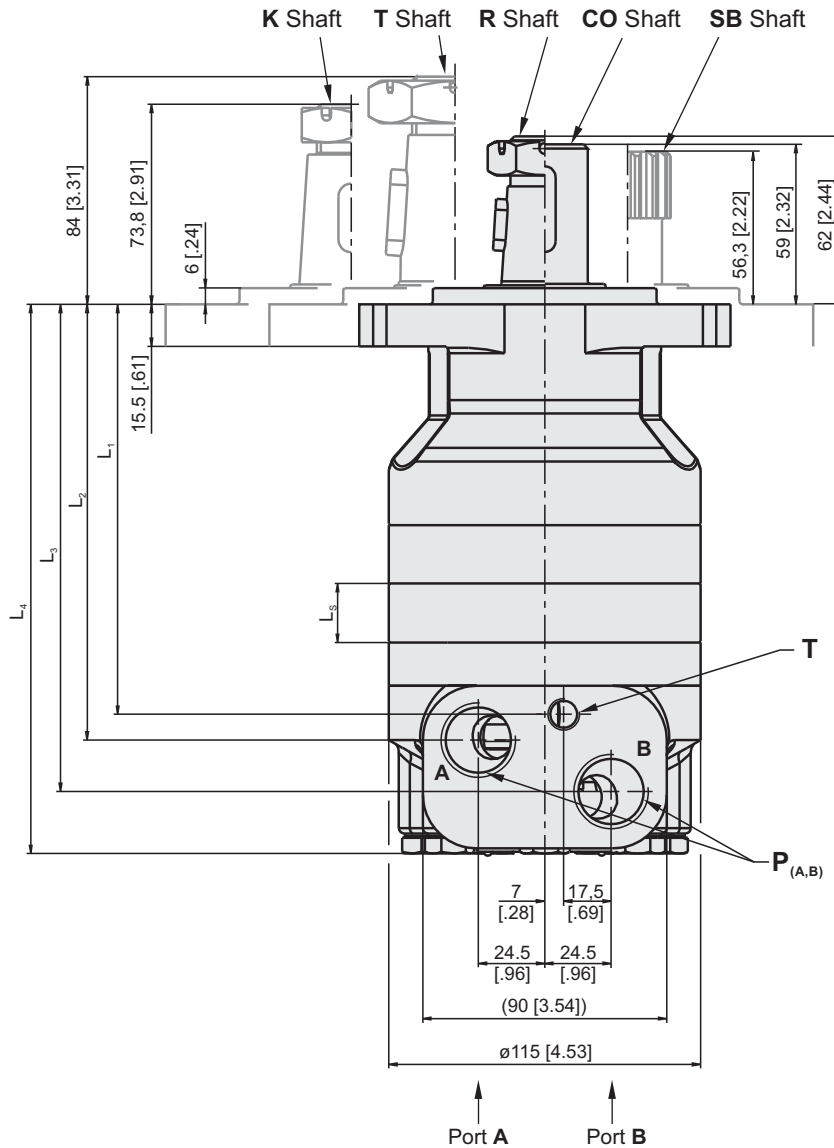
**Standard Rotation**  
Viewed from Shaft End  
Port A Pressurized - CW  
Port B Pressurized - CCW

**Reverse Rotation**  
Viewed from Shaft End  
Port A Pressurized - CCW  
Port B Pressurized - CW



Type	L <sub>1</sub> , mm [in]	L <sub>2</sub> , mm [in]	L <sub>3</sub> , mm [in]	L <sub>4</sub> , mm [in]	Type	L <sub>1</sub> , mm [in]	L <sub>2</sub> , mm [in]	L <sub>3</sub> , mm [in]	L <sub>4</sub> , mm [in]
MTKW160	110,8 [4.36]	120,3 [4.74]	139,3 [5.48]	162,2 [6.39]	MTKC160	151,3 [5.96]	160,8 [6.33]	179,8 [7.08]	202,7 [7.98]
MTKW200	116,8 [4.59]	126,3 [4.97]	145,3 [5.72]	168,2 [6.62]	MTKC200	157,3 [6.19]	166,8 [6.57]	185,8 [7.32]	208,7 [8.22]
MTKW250	123,8 [4.87]	133,3 [5.25]	152,3 [5.99]	175,2 [6.89]	MTKC250	164,3 [6.47]	173,8 [6.84]	192,8 [7.59]	215,7 [8.49]
MTKW315	132,5 [5.22]	142,0 [5.59]	161,0 [6.34]	183,9 [7.24]	MTKC315	173,0 [6.81]	182,5 [7.19]	201,5 [7.93]	224,4 [8.84]
MTKW400	143,8 [5.66]	153,3 [6.04]	172,3 [6.78]	195,2 [7.69]	MTKC400	184,3 [7.26]	193,8 [7.63]	212,8 [8.38]	235,7 [9.28]
MTKW470	154,0 [6.06]	163,5 [6.44]	182,5 [7.19]	205,4 [8.09]	MTKC470	194,5 [7.66]	204,0 [8.03]	223,0 [8.78]	245,9 [9.68]
MTKW500	158,4 [6.24]	167,9 [6.61]	186,9 [7.36]	209,8 [8.26]	MTKC500	198,9 [7.83]	208,4 [8.20]	227,4 [8.95]	250,3 [9.85]

**DIMENSIONS - MTK F**



**Standard Rotation**

Viewed from Shaft End  
Port A Pressurized - CW  
Port B Pressurized - CCW

**Reverse Rotation**

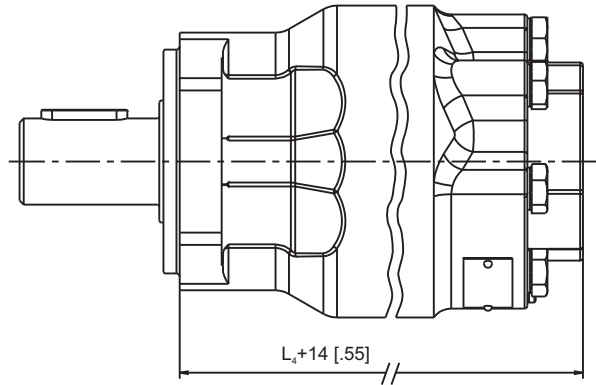
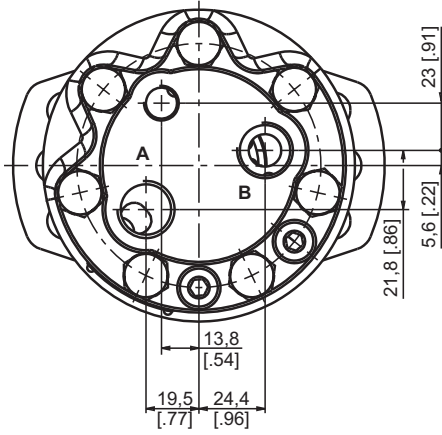
Viewed from Shaft End  
Port A Pressurized - CCW  
Port B Pressurized - CW

	Versions				
	Side			Rear	
	2	3	4	6	8
P (A,B)	2xG 3/4	2xM27x2	2x1 1/16-12UN	2xG 1/2	2x 7/8-14UNF
T	G 1/4	M14x1,5	7/16-20UNF	G 1/4	7/16-20UNF

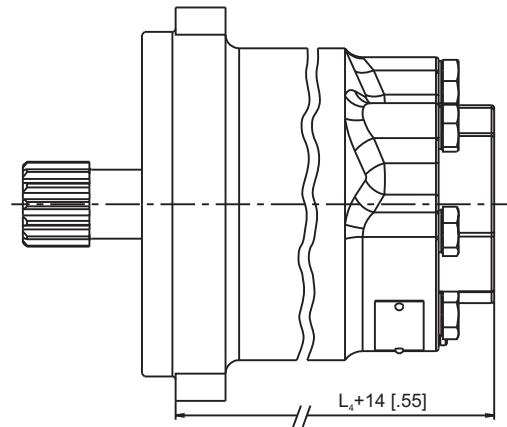
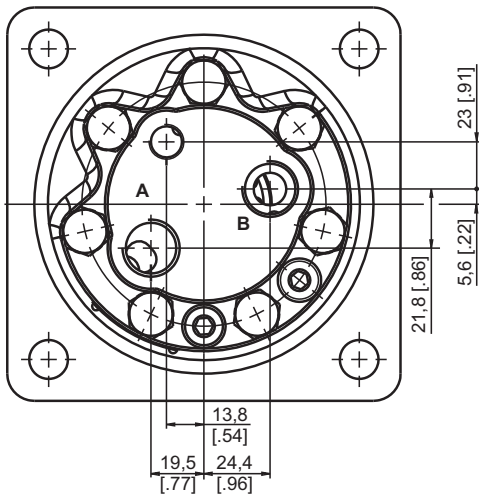
Type	L <sub>1</sub> , mm [in]	L <sub>2</sub> , mm [in]	L <sub>3</sub> , mm [in]	L <sub>4</sub> , mm [in]	L <sub>5</sub> , mm [in]
MTKF 160	151,3 [5.96]	160,8 [6.33]	179,8 [7.08]	202,7 [7.98]	21,8 [.86]
MTKF 200	157,3 [6.19]	166,8 [6.57]	185,8 [7.32]	208,7 [8.22]	27,8 [1.09]
MTKF 250	164,3 [6.47]	173,8 [6.84]	192,8 [7.59]	215,7 [8.49]	34,8 [1.37]
MTKF 315	173,0 [6.81]	182,5 [7.19]	201,5 [7.93]	224,4 [8.84]	43,5 [1.71]
MTKF 400	184,3 [7.26]	193,8 [7.63]	212,8 [8.38]	235,7 [9.28]	54,8 [2.16]
MTKF 470	194,5 [7.66]	204,0 [8.03]	223,0 [8.78]	245,9 [9.68]	65,0 [2.56]
MTKF 500	198,9 [7.83]	208,4 [8.21]	227,4 [8.95]	250,3 [9.85]	69,4 [2.73]

**Rear Ports**

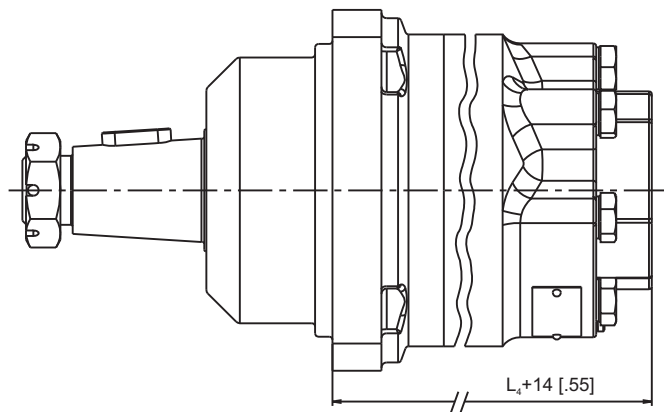
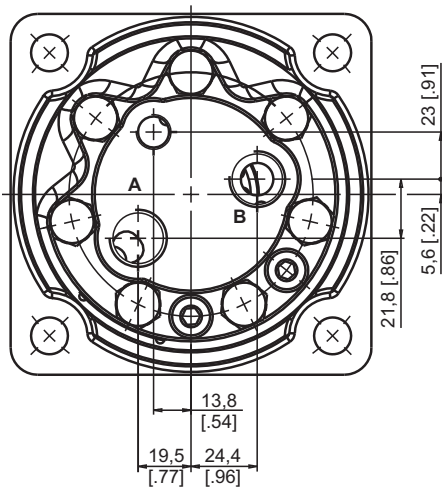
**MTK F**



**MTK C**

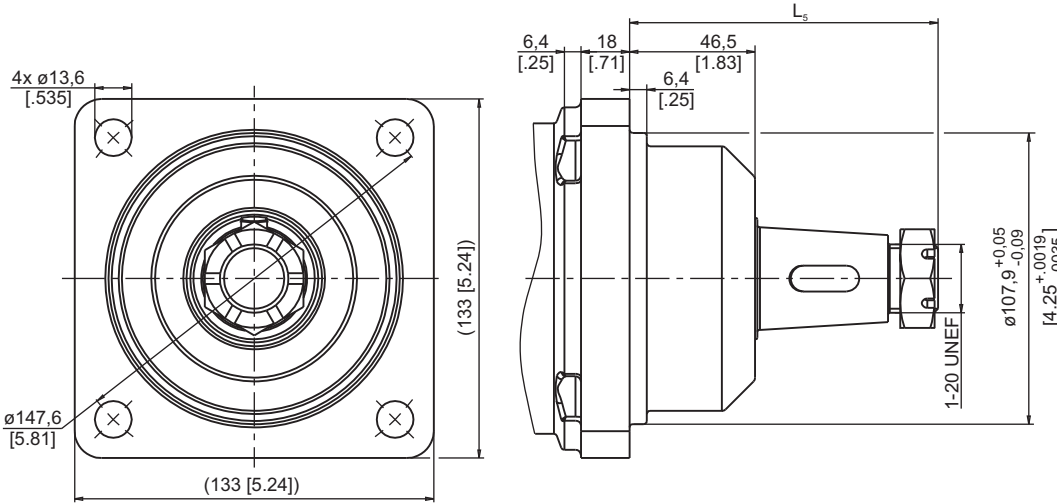


**MTK W**



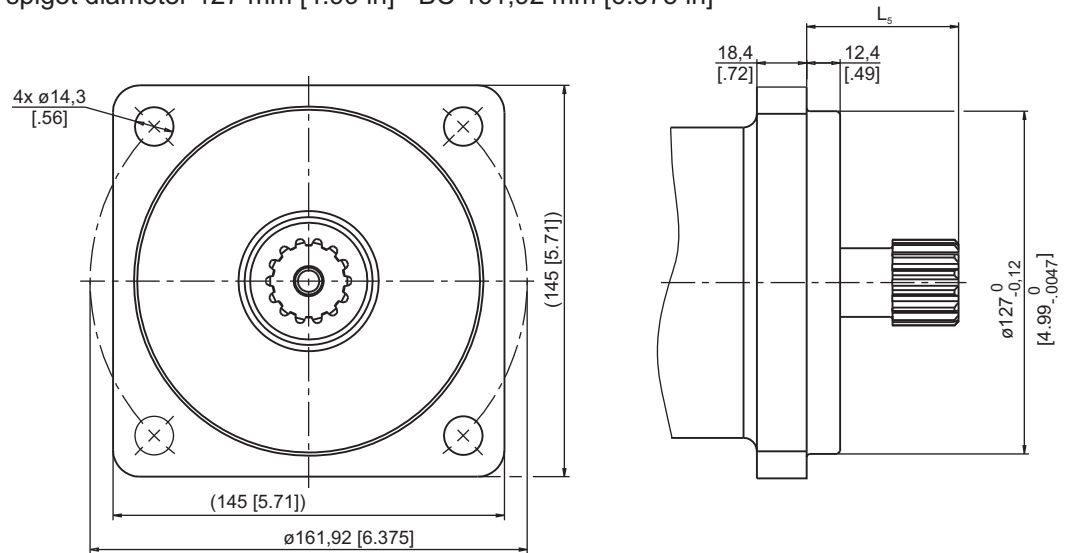
**DIMENSIONS OF MOUNTING**

**W** 4-Bolt flange, Wheel Motor  
spigot diameter 107,9 mm [2.25 in] - BC 147,6 mm [5.81 in]



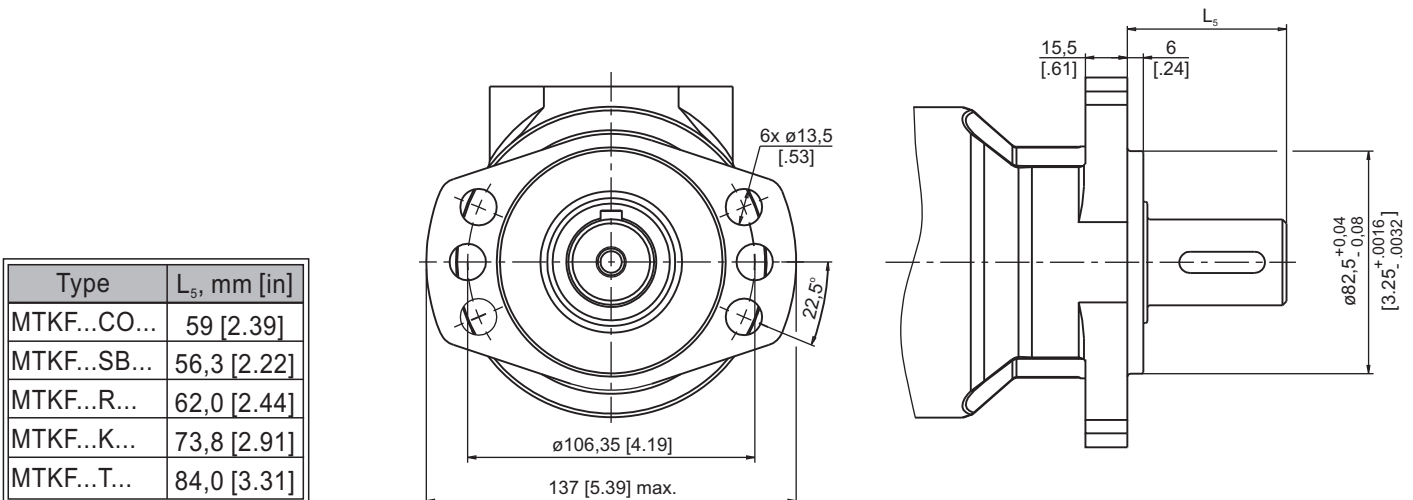
Type	L <sub>5</sub> , mm [in]
MTKW...CO...	99,5 [3.92]
MTKW...SB...	96,8 [3.81]
MTKW...R...	102,5 [4.04]
MTKW...K...	114,3 [4.49]
MTKW...T...	124,5 [4.91]

**C** 4-Bolt flange,  
spigot diameter 127 mm [4.99 in] - BC 161,92 mm [6.375 in]



Type	L <sub>5</sub> , mm [in]
MTKC...CO...	59 [2.39]
MTKC...SB...	56,3 [2.22]
MTKC...R...	62,0 [2.44]
MTKC...K...	73,8 [2.91]
MTKC...T...	84,0 [3.31]

**F** 6-Bolt flange,  
spigot diameter 82,5 mm [3.25 in] - BC 106,35 mm [4.19 in]

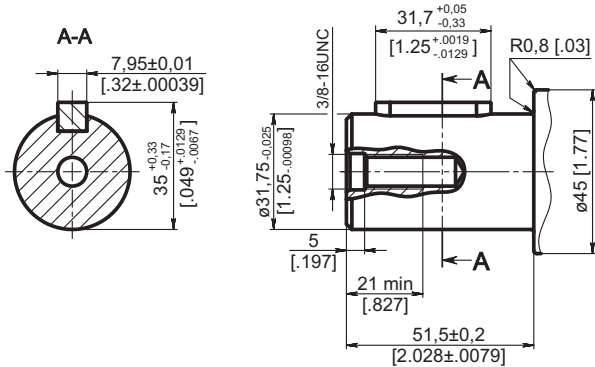


Type	L <sub>5</sub> , mm [in]
MTKF...CO...	59 [2.39]
MTKF...SB...	56,3 [2.22]
MTKF...R...	62,0 [2.44]
MTKF...K...	73,8 [2.91]
MTKF...T...	84,0 [3.31]

**SHAFT EXTENSIONS**

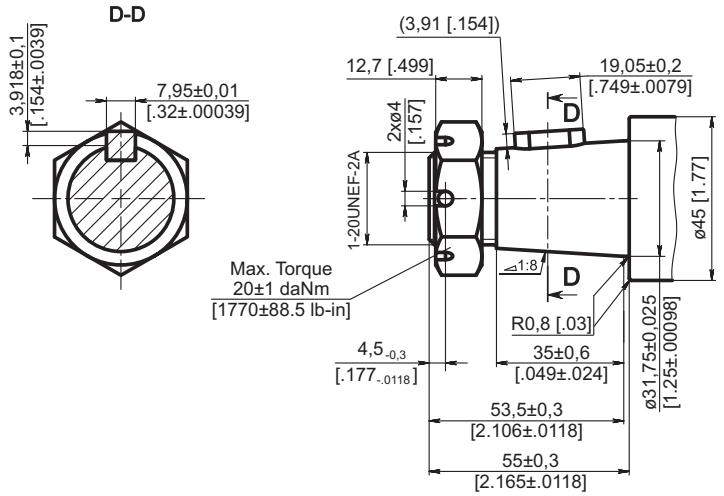
**CO**

ø1.25" [31,75] straight, Parallel key 5/16"x 5/16"x 1 1/4"  
Max. Torque 77 daNm [6815 lb-in]



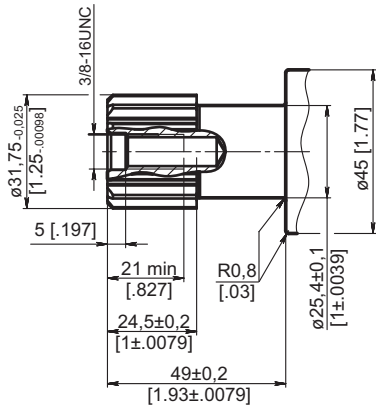
**R**

ø1.25" [31,75] tapered 1:8, Parallel key 5/16"x 5/16"x 3/4"  
Max. Torque 77 daNm [6815 lb-in]



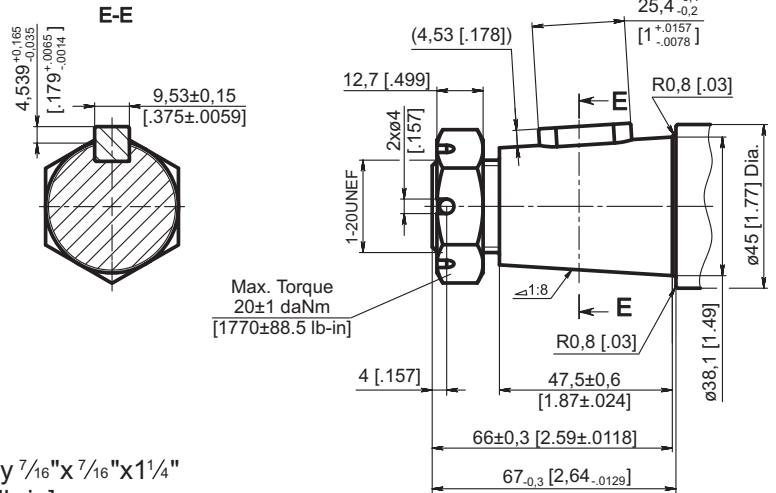
**SB**

ø1.25" [31,75] 14T Splined ANSI B92.1-1970, 12/24  
Max. Torque 77 daNm [6815 lb-in]



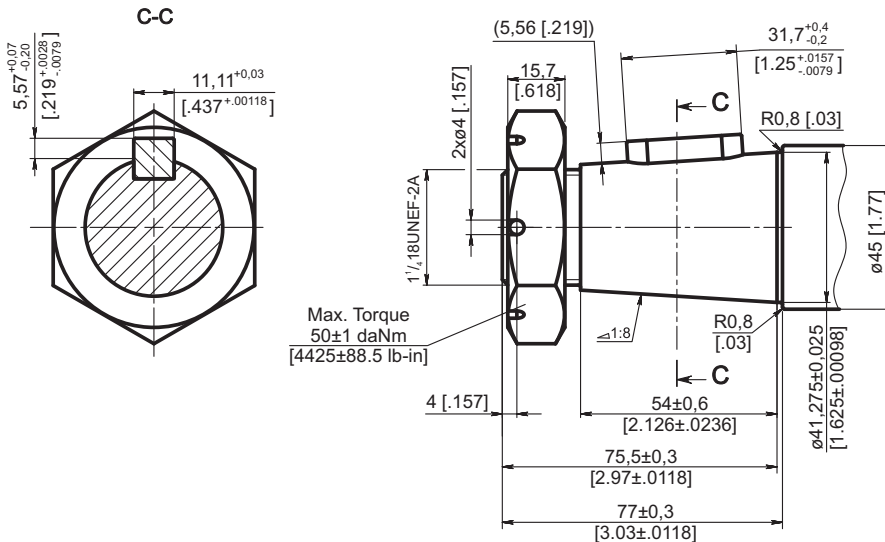
**K**

ø1.5" [38,1] tapered 1:8, Parallel key 3/8"x 3/8"x 1"  
Max. Torque 89 daNm [7878 lb-in]



**T**

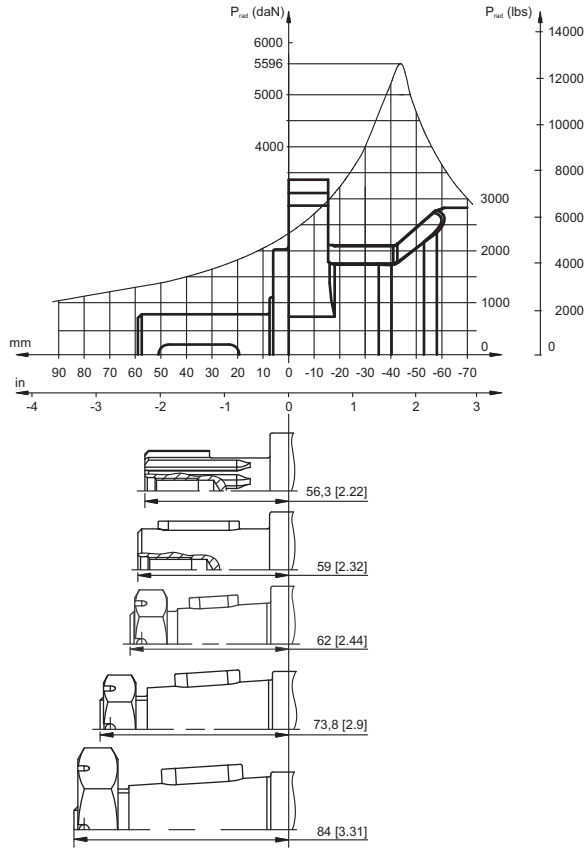
ø1.625" [41,275] tapered 1:8, Parallel key 7/16"x 7/16"x 1 1/4"  
Max. Torque 100 daNm [8850 lb-in]



**PERMISSIBLE SHAFT LOADS**

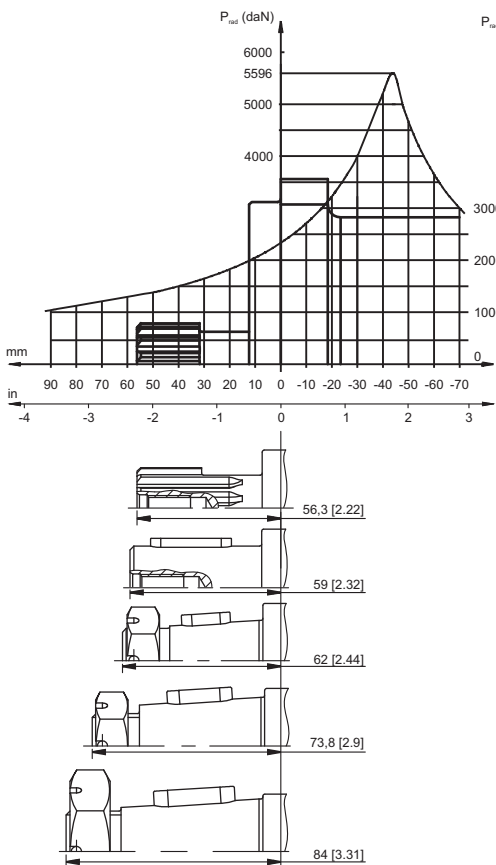
The curves apply to a B10 bearing life (ISO281) of 2000 hours at 100 RPM.

**MTKF**

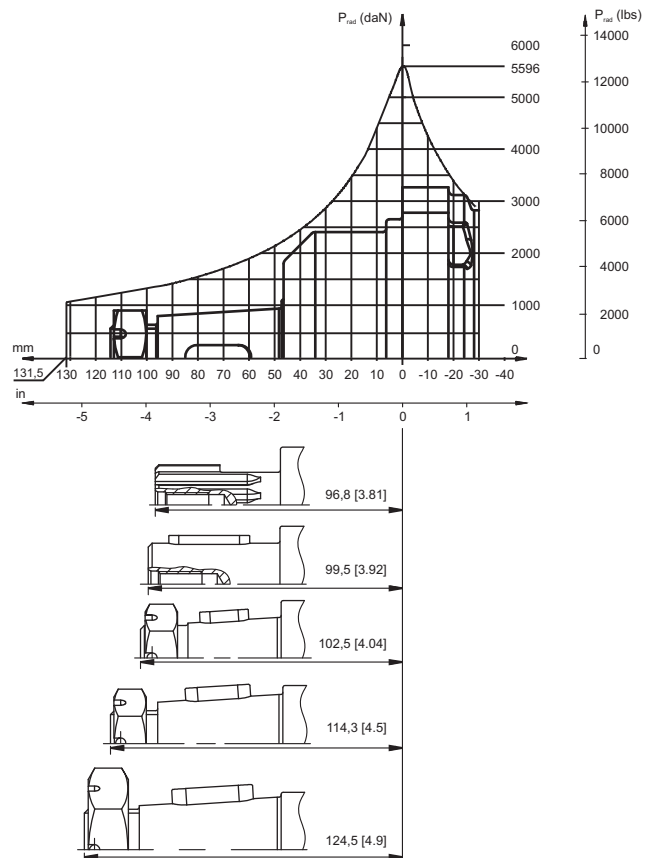


The curves apply to a B10 bearing life (ISO281) of 2000 hours at 100 RPM.

**MTKC**

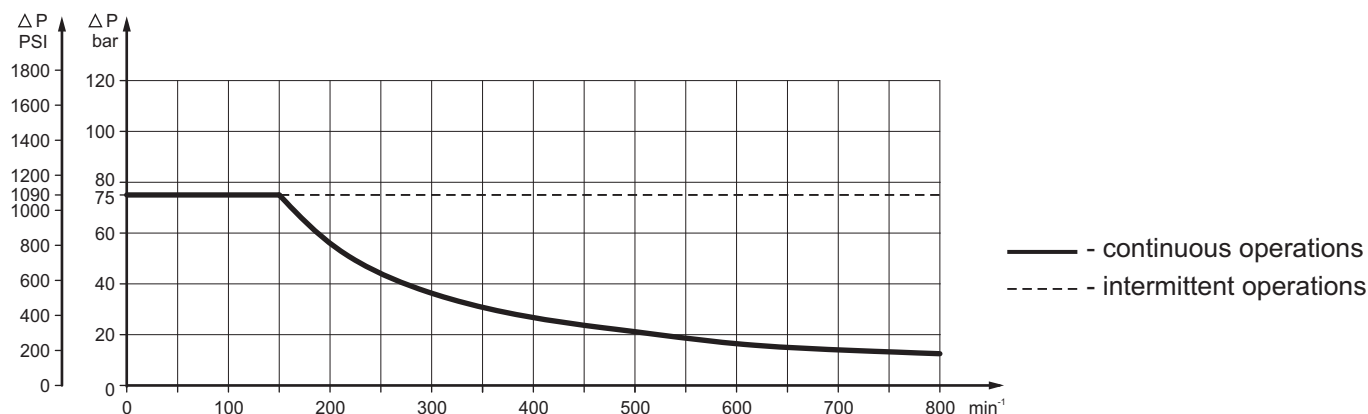


**MTKW**



## MAX. PERMISSIBLE SHAFT SEAL PRESSURE for MTK motors

Max. return pressure without drain line or  
max. pressure in the drain line



### ORDER CODE

	1	2	3	4	5	6	7	8
<b>MTK</b>							<b>HD</b>	

#### Pos.1 - Mounting Flange

- W** - 4-Bolt flange, Wheel Motor spigot diameter 107,9 mm [2.25 in] - BC 147,6 mm [5.81 in]
- C** - 4-Bolt flange, spigot diameter 127 mm [4.99 in] - BC 161,92 mm [6.375 in]
- F** - Bolt flange, spigot diameter 82,5 mm [3.25 in] - BC 106,35 mm [4.19 in]

#### Pos.2 - Port type

- omit - Side ports
- E** - Rear ports

#### Pos.3 - Displacement code

- 160** - 157,9 cm<sup>3</sup>/rev [ 9.63 in<sup>3</sup>/rev]
- 200** - 201,3 cm<sup>3</sup>/rev [12.28 in<sup>3</sup>/rev]
- 250** - 252,2 cm<sup>3</sup>/rev [15.38 in<sup>3</sup>/rev]
- 315** - 314,9 cm<sup>3</sup>/rev [19.20 in<sup>3</sup>/rev]
- 400** - 396,8 cm<sup>3</sup>/rev [24.20 in<sup>3</sup>/rev]
- 470** - 470,5 cm<sup>3</sup>/rev [28.70 in<sup>3</sup>/rev]
- 500** - 502,4 cm<sup>3</sup>/rev [30.65 in<sup>3</sup>/rev]

#### Pos.4 - Shaft Extensions\*

- CO** - ø1.25" [31,75] straight, Parallel key 5/16"x5/16"x1 1/4", 3/8-16 UNC
- SB** - ø1.25" [31,75] 14T Splined ANSI B92.1-1970, 12/24, 3/8-16 UNC
- R** - ø1.25" [31,75] Tapered 1:8, Parallel key 5/16"x5/16"x3/4", 1-20 UNEF
- K** - ø1.5" [38,1] Tapered 1:8, Parallel key 3/8"x3/8"x1", 1-20 UNEF
- T** - ø1.625" [41,275] Tapered 1:8, Parallel key 7/16"x7/16"x1 1/4", 1 1/4-18 UNEF

#### Pos.5 - Port Size/Type

- 2** - side ports, 2xG 3/4, G1/4 BSP (ISO 228)
- 3** - side ports, 2xM27x2, M14x1,5 - 6H (ISO 262)
- 4** - side ports, 2x1 1/16-12 UN, 7/16-20 UNF
- 6** - rear ports, 2xG 1/2, G1/4 BSP (ISO 228)
- 8** - rear ports, 2x7/8-14 UNF, 7/16-20 UNF

#### Pos.6 - Check Valves

- omit - without check valves
- 1** - with check valves

#### Pos.7 - Special Features

- HD** - Reinforced motor HD\*\*  
For Other **Special Features** [see page 52](#)

#### Pos.8 - Design Series

- omit - Factory specified

Notes: \* The permissible output torque for shafts must be not exceeded!  
\*\* Drain line should always be used.

The hydraulic motors are mangano phosphatized as standard.

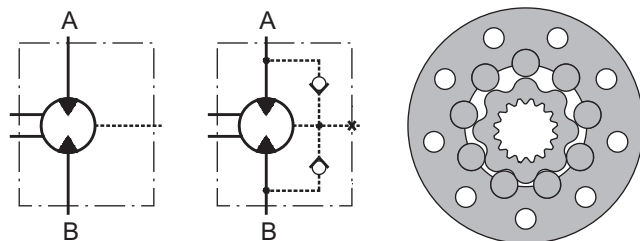


# HYDRAULIC MOTORS MTM



## APPLICATION

- » Skid Steer Loaders
- » Metal working machines
- » Trenchers
- » Augers
- » Agricultural machines
- » Road building machines
- » Special vehicles
- » Mine machines
- » Woodworking and sawmill machinery
- » Conveyors etc.



## CONTENTS

Specification data .....	18
Function diagrams .....	19÷21
Dimensions and mounting .....	22÷24
Shaft extensions .....	25
Permissible shaft loads .....	25
Dimensions and mounting- MTMV .....	26
Dimensions and mounting- MTM6V .....	27
Internal Spline data .....	28
Order code .....	28

## OPTIONS

- » Model - Disc valve, roll-gerotor
- » Flange with wheel mount
- » Short motor
- » Side ports
- » Shafts - straight, splined and tapered
- » BSPP ports;
- » Other special features.

## EXCELLENCE

- » High torque and pressure drop
- » High inlet pressure
- » High starting torque
- » Improved efficiency at high pressure drop
- » Smooth operation at low speed

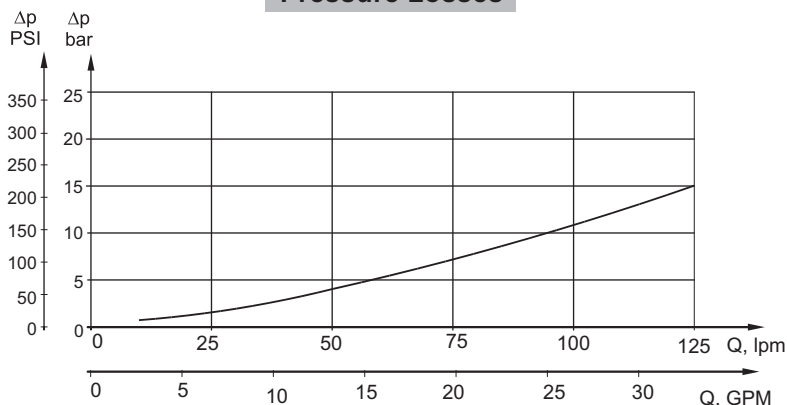
## GENERAL

<b>Max. Displacement,</b> cm <sup>3</sup> /rev [in <sup>3</sup> /rev]	724,3 [44.2]
<b>Max. Speed,</b> [RPM]	750
<b>Max. Torque,</b> daNm [lb-in]	cont.: 183 [16200] int.: 229 [20270]
<b>Max. Output,</b> kW [HP]	70 [94]
<b>Max. Pressure Drop,</b> bar [PSI]	cont.: 250 [3600] int.: 350 [5080]
<b>Max. Oil Flow,</b> lpm [GPM]	150 [40]
<b>Min. Speed,</b> [RPM]	5
<b>Permissible Shaft Loads</b> daN [lbs]	P <sub>a</sub> =1000 [2250]
<b>Pressure fluid</b>	Mineral based- HLP(DIN 51524) or HM(ISO 6743/4)
<b>Temperature range,</b> °C [°F]	-40÷140 [-40÷284]
<b>Optimal Viscosity range,</b> mm <sup>2</sup> /s [SUS]	20÷75 [98÷347]
<b>Filtration</b>	ISO code 20/16 (Min. recommended fluid filtration of 25 microns)

### Oil flow in drain line

Pressure drop bar [PSI]	Viscosity mm <sup>2</sup> /s [SUS]	Oil flow in drain line lpm [GPM]
140 [2030]	20 [98]	2,5 [.660]
	35 [164]	1,5 [.396]
210 [3045]	20 [98]	5 [1.321]
	35 [164]	3 [.793]

### Pressure Losses



## SPECIFICATION DATA

Type		MTM 200	MTM 250	MTM 315	MTM 400	MTM 470	MTM 500	MTM 630	MTM 725
<b>Displacement, cm<sup>3</sup>/rev [in<sup>3</sup>/rev]</b>		201,4 [12.29]	251,8 [15.36]	326,3 [19.9]	410,9 [25.06]	475 [28.97]	523,6 [31.95]	631,2 [38.52]	724 [44.2]
<b>Max. Speed, [RPM]</b>	Cont.	625	500	380	305	260	240	190	170
	Int.*	750	600	460	365	315	285	230	215
<b>Max. Torque daNm [lb-in]</b>	Cont.	74 [6550]	90[7965]	116[10265]	147[13010]	171[15135]	172[15225]	183[16200]	160[14160]
	Int.*	102[9030]	128[11330]	163[14425]	206[18232]	215[16030]	215[16030]	229[20270]	192[17000]
	Peak**	115[10180]	144[12745]	186[16460]	235[20800]	240[21240]	240[21240]	274[24250]	240[21240]
<b>Max. Output kW [HP]</b>	Cont.	41 [55]	41 [55]	41 [55]	41 [55]	41 [55]	37,5[50]	28 [37,5]	26 [35]
	Int.*	70 [94]	70 [94]	70 [94]	70 [94]	55 [74]	51 [68]	42 [56]	40 [54]
<b>Max. Pressure Drop bar [PSI]</b>	Cont.	250[3600]	250[3600]	250[3600]	250[3600]	250[3600]	230[3340]	200[2900]	160[2320]
	Int.*	350[5080]	350[5080]	350[5080]	350[5080]	315[4570]	280[4060]	250[3625]	210[3045]
	Peak**	400[5800]	400[5800]	400[5800]	400[5800]	350[5080]	320[4640]	300[4350]	260[3770]
<b>Max. Oil Flow lpm [GPM]</b>	Cont.	125[33]	125[33]	125[33]	125[33]	125[33]	125[33]	125[33]	125[33]
	Int.*	150[40]	150[40]	150[40]	150[40]	150[40]	150[40]	150[40]	150[40]
<b>Max. Inlet Pressure bar [PSI]</b>	Cont.	270[3920]	270[3920]	270[3920]	270[3920]	270[3920]	270[3920]	270[3920]	270[3920]
	Int.*	370[5370]	370[5370]	370[5370]	370[5370]	370[5370]	370[5370]	370[5370]	370[5370]
	Peak**	420[6100]	420[6100]	420[6100]	420[6100]	420[6100]	420[6100]	420[6100]	420[6100]
<b>Max. Return Pressure without Drain Line or Max. Pressure in Drain Line, bar [PSI]</b>	Cont. 0-100 RPM	75 [1100]	75 [1100]	75 [1100]	75 [1100]	75 [1100]	75 [1100]	75 [1100]	75 [1100]
	Cont. 100-300 RPM	40 [580]	40 [580]	40 [580]	40 [580]	40 [580]	40 [580]	40 [580]	40 [580]
	Cont. >300 RPM	20 [290]	20 [290]	20 [290]	20 [290]	20 [290]	-	-	-
	Int.* 0-max. RPM	75 [1100]	75 [1100]	75 [1100]	75 [1100]	75 [1100]	75 [1100]	75 [1100]	75 [1100]
<b>Max. Return Pressure with Drain Line bar [PSI]</b>	Cont.	140 [2000]	140 [2000]	140 [2000]	140 [2000]	140 [2000]	140 [2000]	140 [2000]	140 [2000]
	Int.*	175 [2500]	175 [2500]	175 [2500]	175 [2500]	175 [2500]	175 [2500]	175 [2500]	175 [2500]
	Peak**	210 [3000]	210 [3000]	210 [3000]	210 [3000]	210 [3000]	210 [3000]	210 [3000]	210 [3000]
<b>Max. Starting Pressure with Unloaded Shaft, bar [PSI]</b>		6 [90]	6 [90]	6 [90]	6 [90]	6 [90]	6 [90]	6 [90]	6 [90]
<b>Min. Starting Torque daNm [lb-in]</b>		60[5310]	75[6640]	97[8585]	122[10800]	142[12570]	143[12655]	145[12830]	148[13100]
<b>Min. Speed***, [RPM]</b>		5	5	5	5	5	5	5	5
<b>Weight, kg [lb]</b>	MTM	26,9 [59.3]	27,3 [60.2]	28,1 [62]	29 [64]	29,7 [65.5]	30,2 [66.6]	29,7 [65.5]	31 [68.4]
	MTMW	27,4 [60.4]	27,8 [61.3]	28,6 [63.1]	29,5 [65.1]	30,2 [66.6]	30,7 [67.7]	30,2 [66.6]	31,5 [69.5]
	MTMV	15,7 [34.6]	16,1 [35.5]	16,9 [37.3]	17,8 [39.3]	18,5 [40.8]	19 [41.9]	18,5 [40.8]	19,8 [43.7]

\* Intermittent operation: the permissible values may occur for max. 10% of every minute.

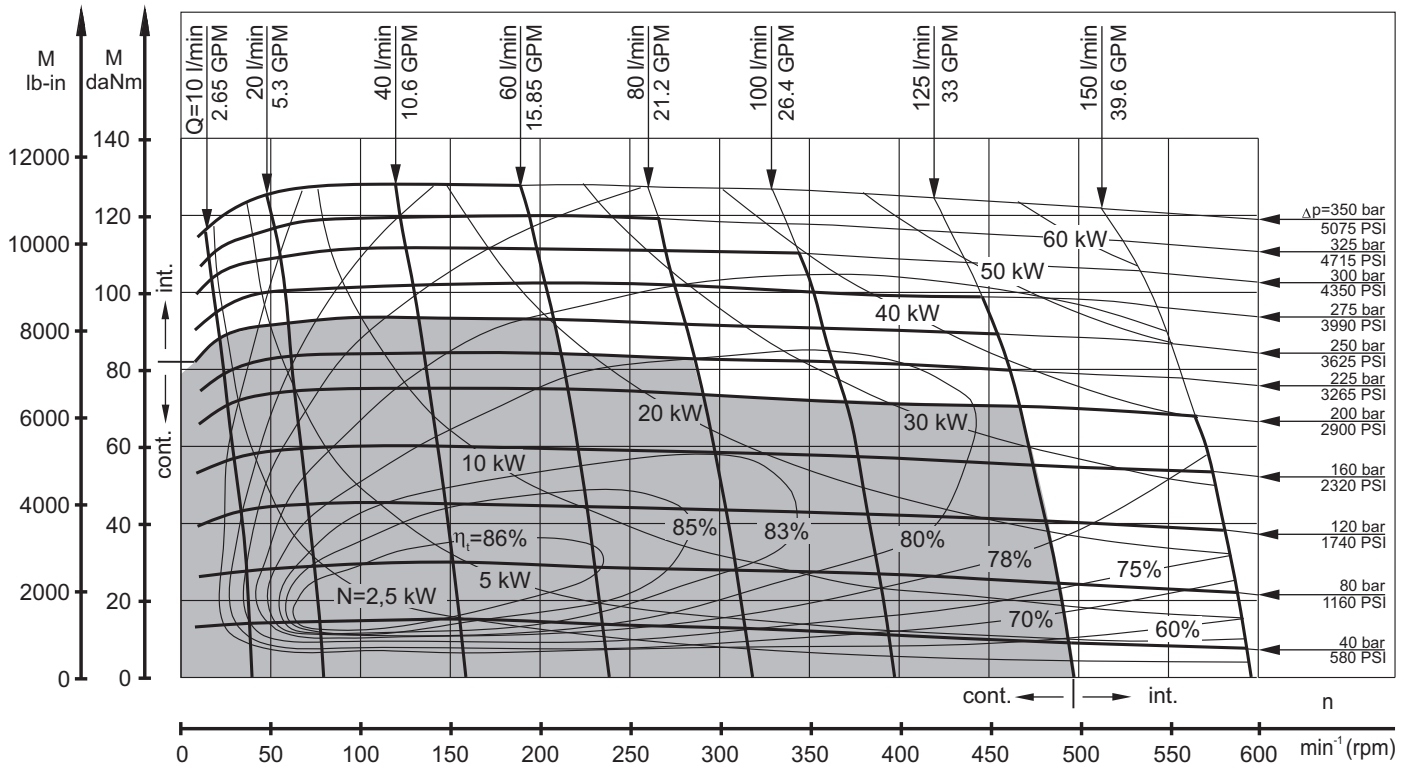
\*\* Peak load: the permissible values may occur for max. 1% of every minute.

\*\*\* For speeds lower than given, consult factory or your regional manager.

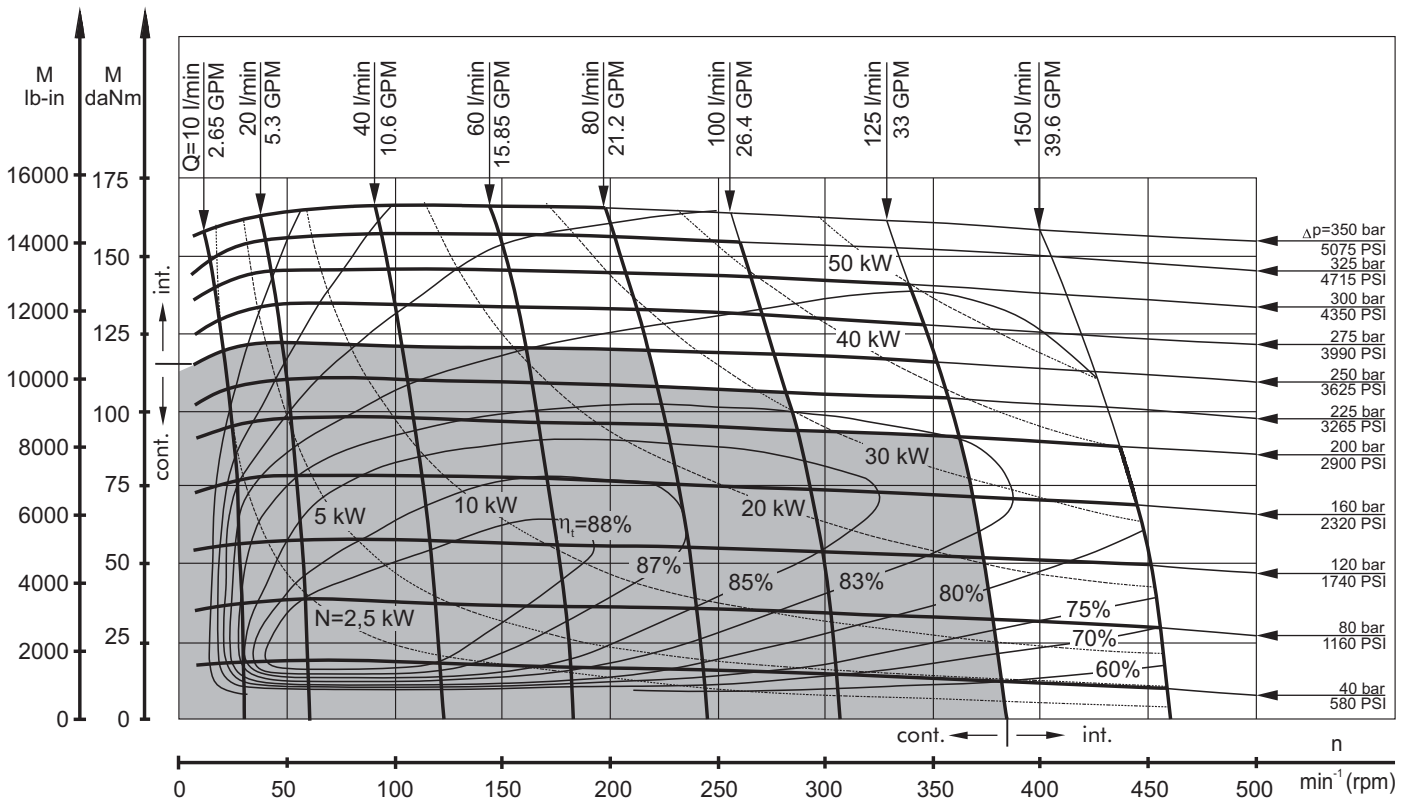
- Intermittent speed and intermittent pressure must not occur simultaneously.
- Recommended filtration is per ISO cleanliness code 20/16. A nominal filtration of 25 micron or better.
- Recommend using a premium quality, anti-wear type mineral based hydraulic oil, HLP(DIN51524) or HM(ISO6743/4).  
If using synthetic fluids consult the factory for alternative seal materials.
- Recommended minimum oil viscosity 13 mm<sup>2</sup>/s [70 SUS] at 50°C [122°F].
- Recommended maximum system operating temperature is 82°C [180°F].
- To assure optimum motor life fill with fluid prior to loading and run at moderate load and speed for 10-15 minutes.

## FUNCTION DIAGRAMS

### MTM 250



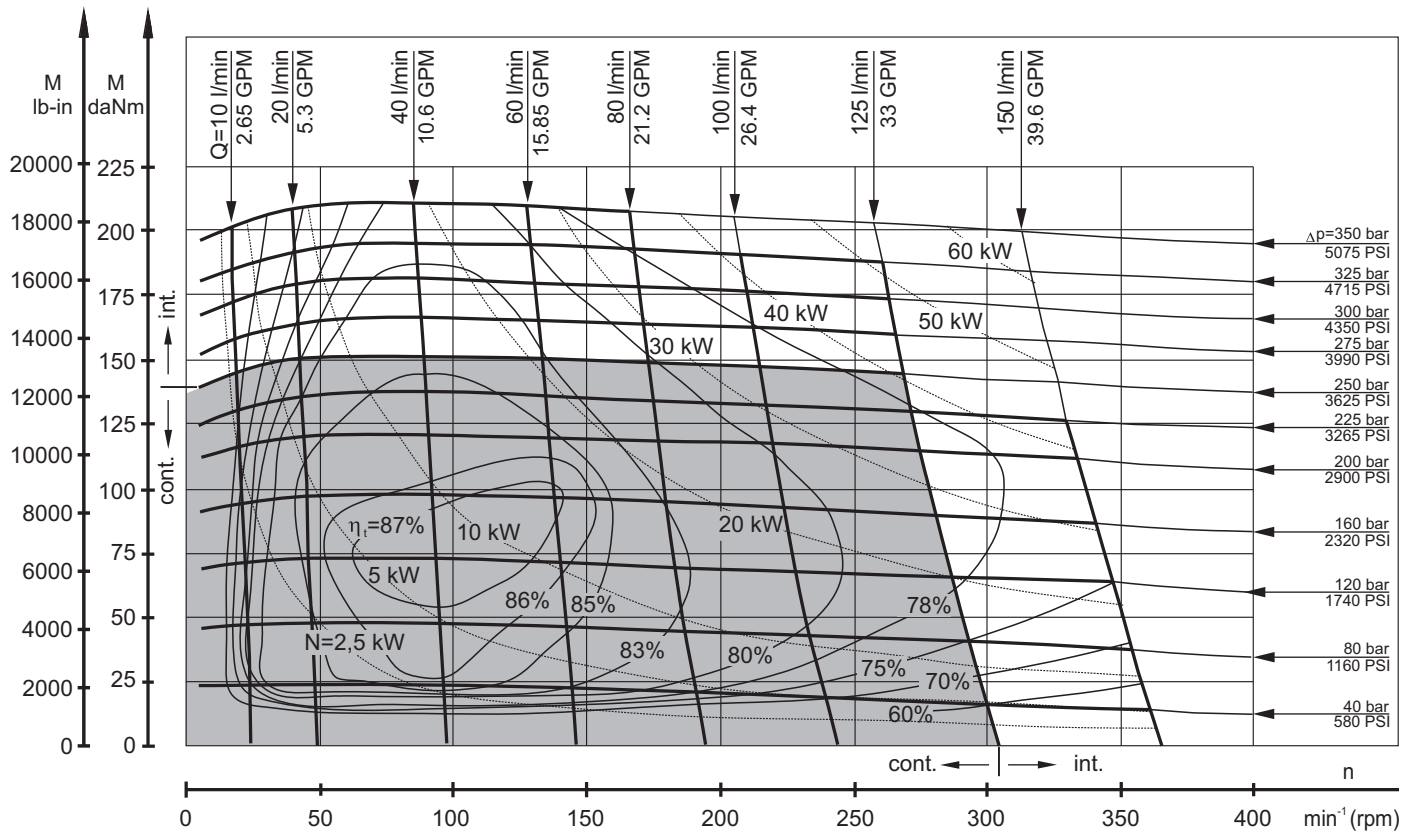
### MTM 315



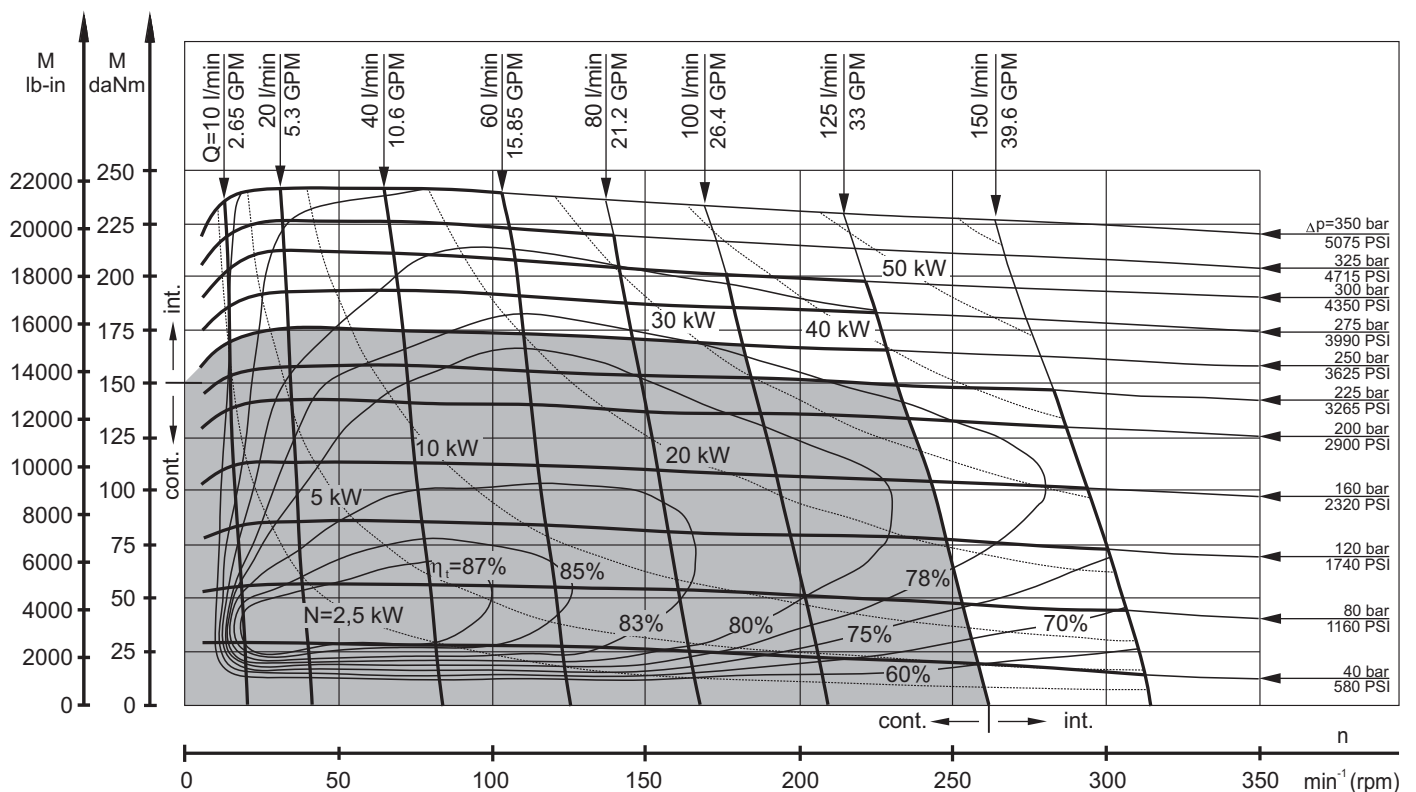
The function diagrams data was collected at back pressure 5÷10 bar (72.5PSI÷145PSI) and oil with viscosity of 32 mm<sup>2</sup>/s [150SUS] at 50° C [122°F].

## FUNCTION DIAGRAMS

### MTM 400



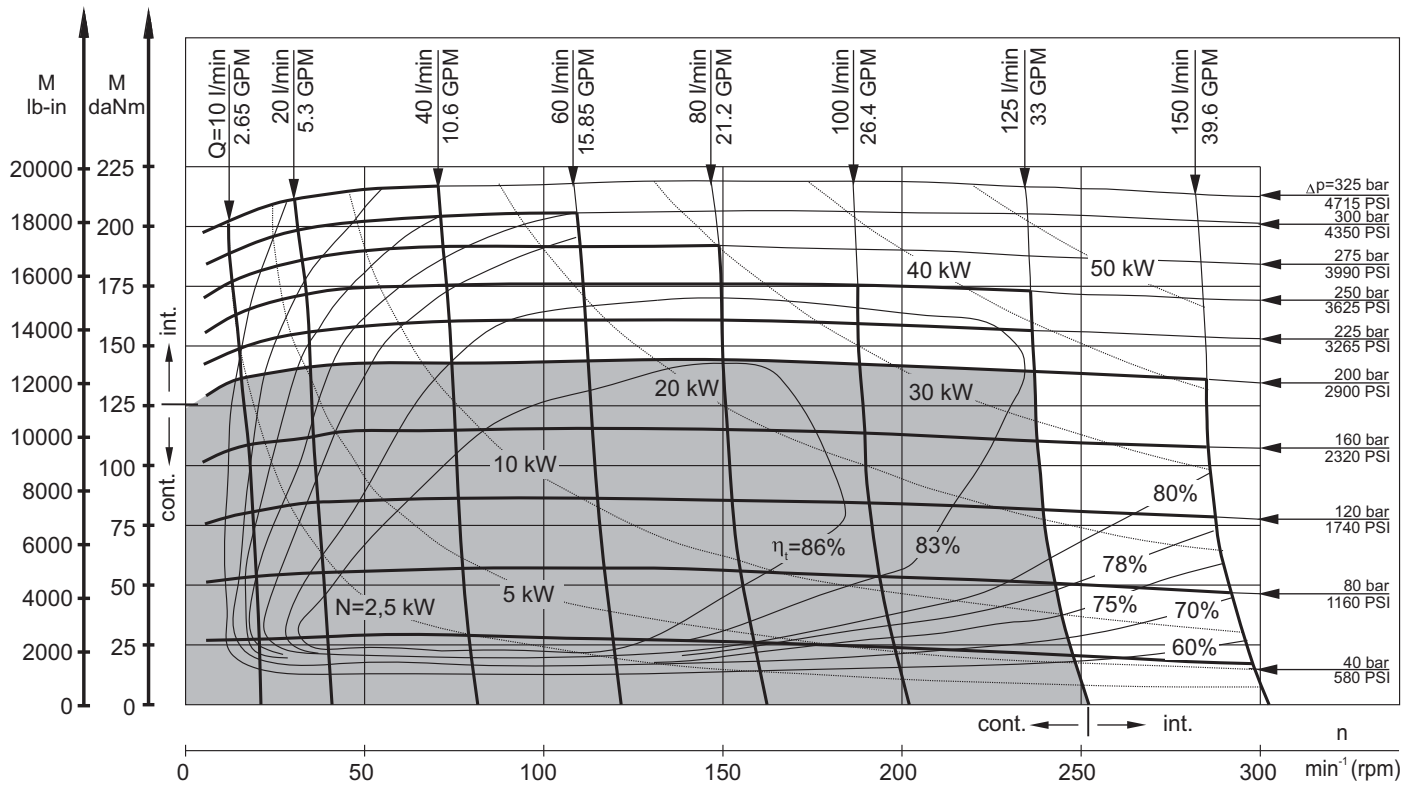
### MTM 470



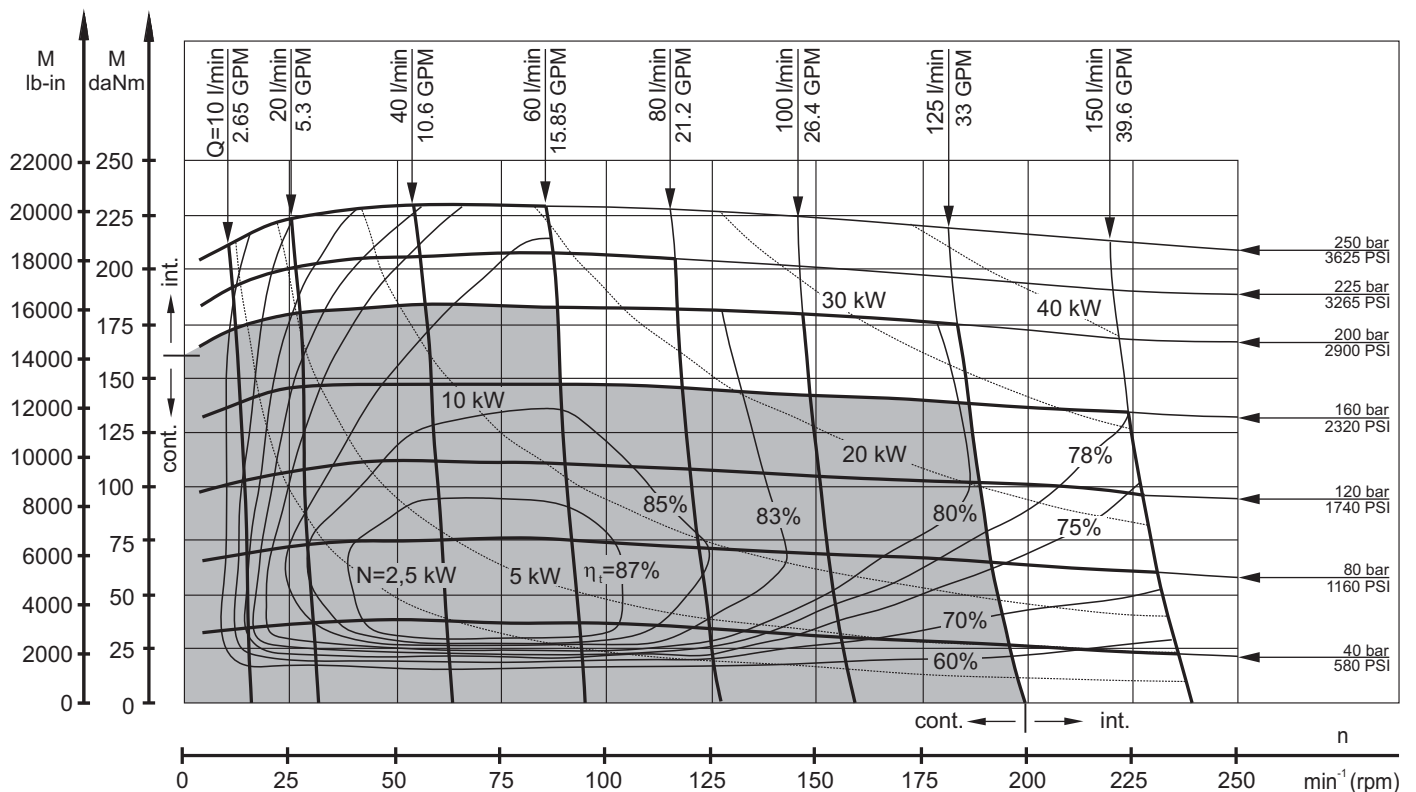
The function diagrams data was collected at back pressure 5÷10 bar (72.5PSI÷145PSI) and oil with viscosity of 32 mm<sup>2</sup>/s [150SUS] at 50° C [122°F].

## FUNCTION DIAGRAMS

### MTM 500

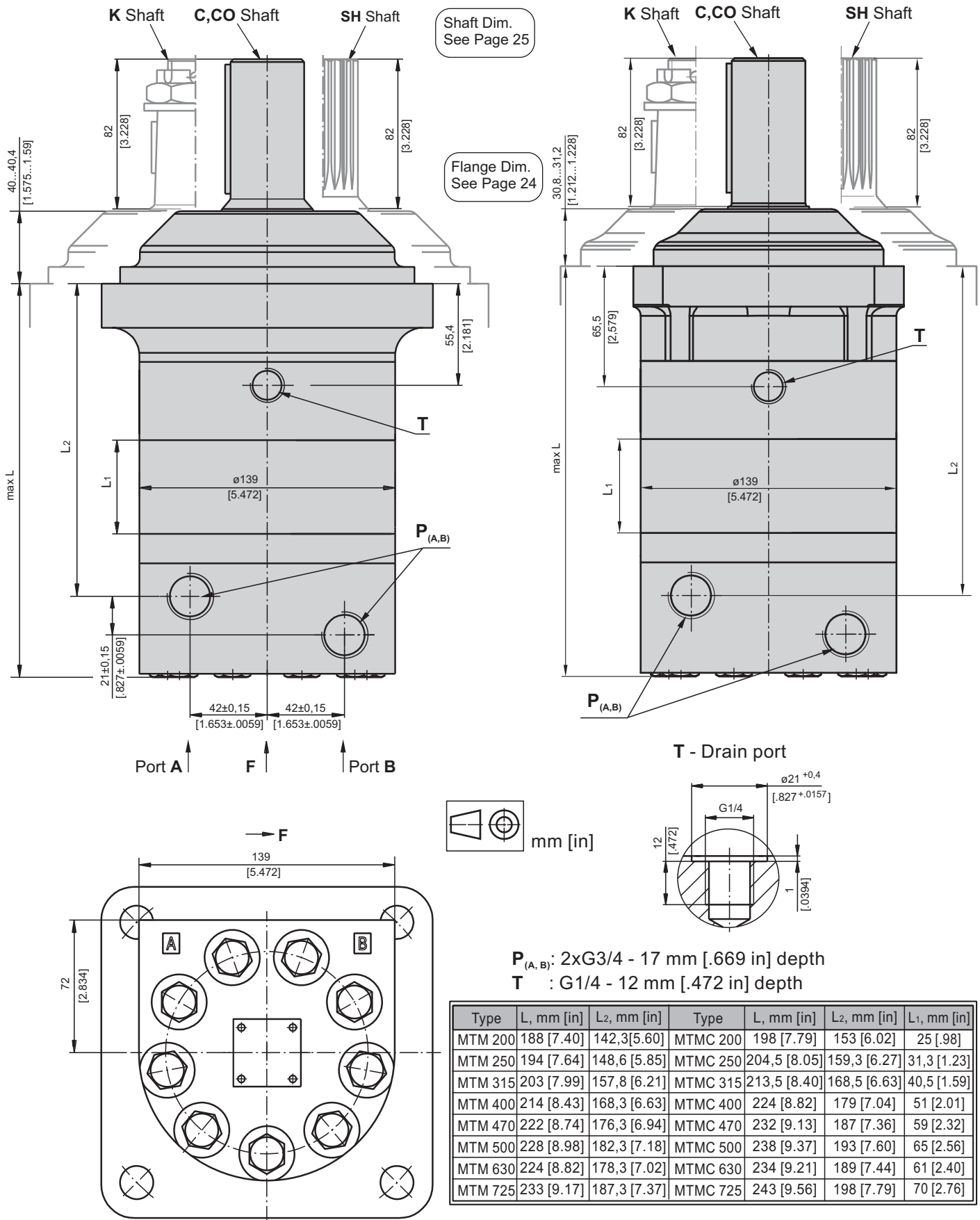


### MTM 630



The function diagrams data was collected at back pressure 5÷10 bar (72.5PSI÷145PSI) and oil with viscosity of 32 mm<sup>2</sup>/s [150SUS] at 50° C [122°F].

## DIMENSIONS AND MOUNTING DATA - MTM and MTMC

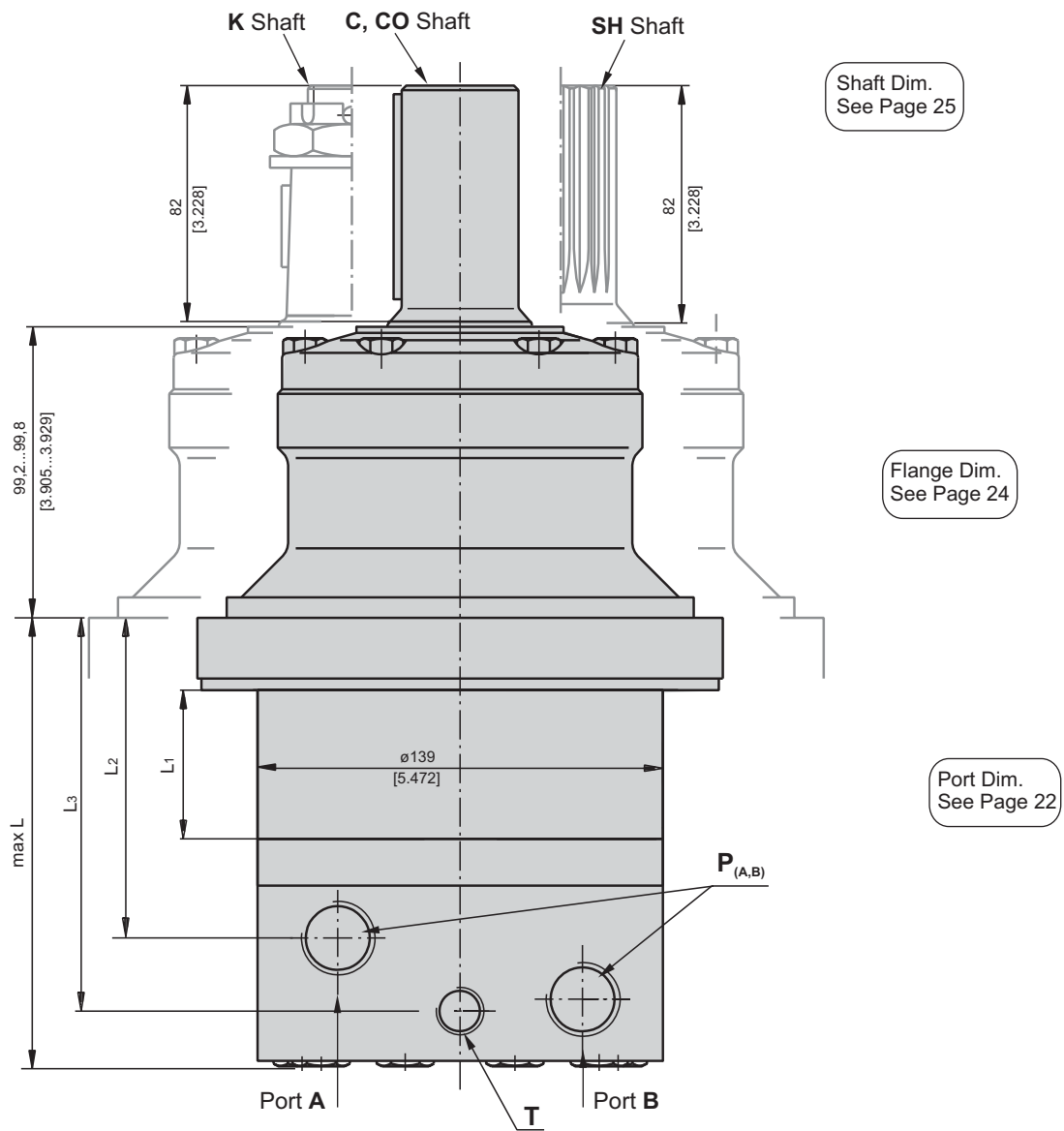


**Warning:** Drain line should always be used.  
This is not applicable for option "1" (with check valves)!

**Standard Rotation**  
Viewed from Shaft End  
Port A Pressurized - CW  
Port B Pressurized - CCW

**Reverse Rotation**  
Viewed from Shaft End  
Port A Pressurized - CCW  
Port B Pressurized - CW

## DIMENSIONS AND MOUNTING DATA - MTMW



**P<sub>(A,B)</sub>**: 2xG3/4 - 17 mm [.669 in] depth

**T** : G1/4 - 12 mm [.472 in] depth

**Standard Rotation**  
Viewed from Shaft End  
Port **A** Pressurized - **CW**  
Port **B** Pressurized - **CCW**

**Reverse Rotation**  
Viewed from Shaft End  
Port **A** Pressurized - **CCW**  
Port **B** Pressurized - **CW**

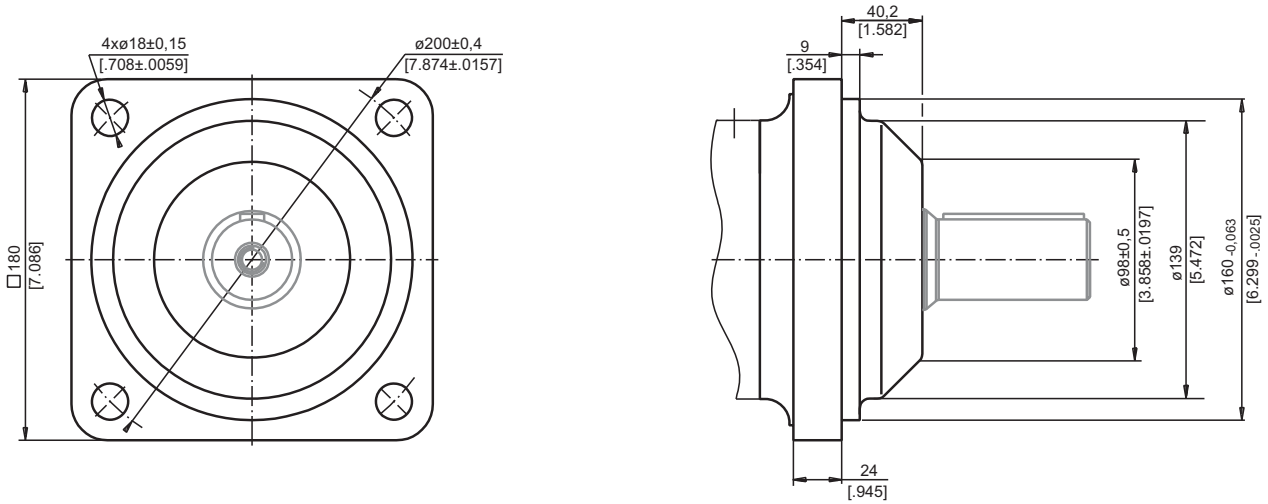
Type	L, mm [in]	L <sub>1</sub> , mm [in]	L <sub>2</sub> , mm [in]	L <sub>3</sub> , mm [in]
MTMW 200	129 [5.08]	25 [.98]	83,8 [3.30]	111,1 [3.37]
MTMW 250	135 [5.32]	31,3 [1.23]	90,1 [3.55]	117,4 [4.62]
MTMW 315	144 [5.67]	40,5 [1.59]	99,3 [3.91]	126,6 [4.98]
MTMW 400	155 [6.10]	51 [2.01]	109,8 [4.32]	137,1 [5.40]
MTMW 470	163 [6.42]	59 [2.32]	117,8 [4.64]	145,1 [5.71]
MTMW 500	169 [6.65]	65 [2.56]	123,8 [4.87]	151,1 [5.95]
MTMW 630	165 [6.50]	61 [2.40]	119,8 [4.72]	147,1 [5.79]
MTMW 725	174 [6.85]	70 [2.76]	128,8 [5.07]	156,1 [6.15]

**Warning:** Drain line should always be used.  
This is not applicable for option "1" (with check valves)!

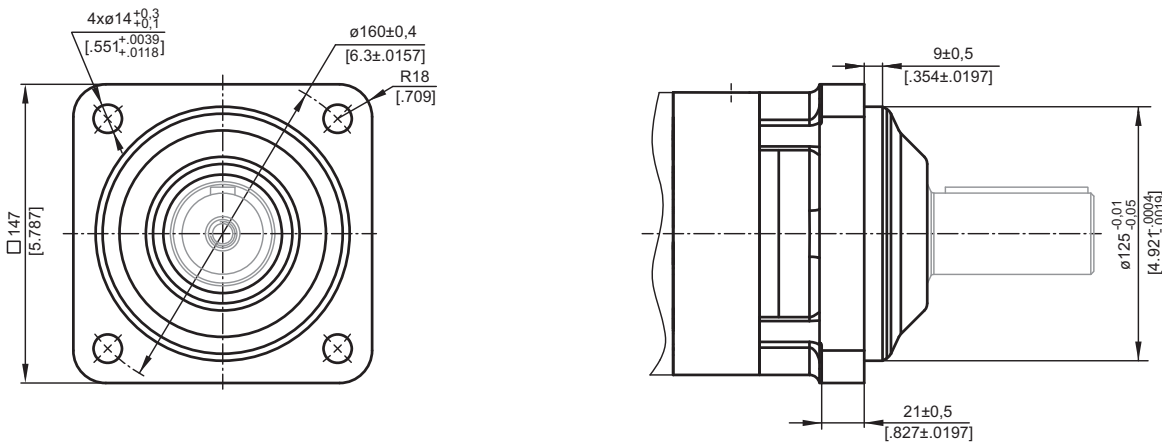


**MOUNTING**

**4-Bolt flange**  
spigot diameter  $\varnothing 160$  mm [6.3 in] - BC  $\varnothing 200$  [7.874 in] mm



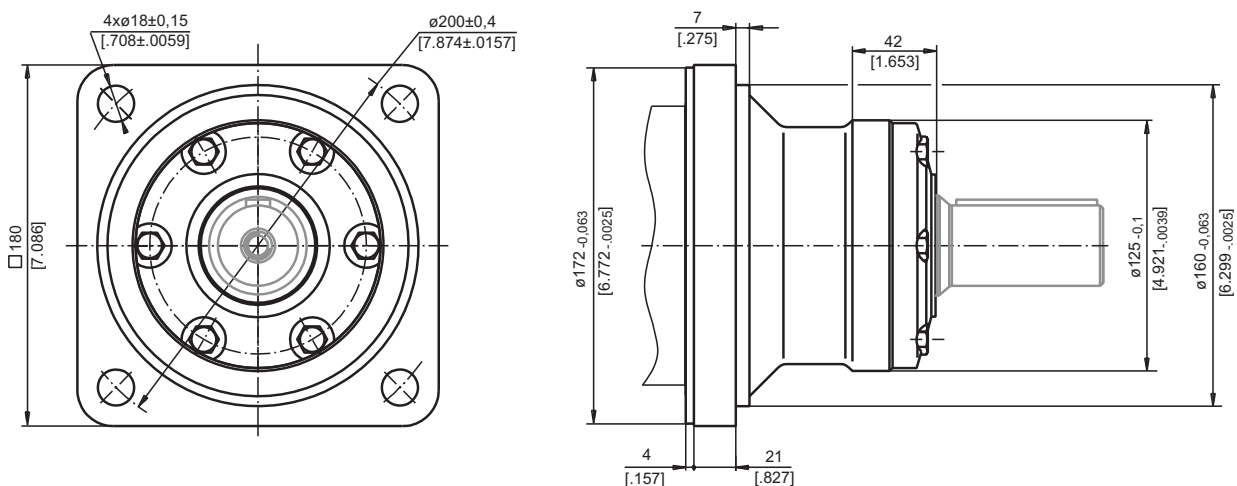
**C 4-Bolt flange**  
spigot diameter  $\varnothing 125$  mm [4.921 in] - BC  $\varnothing 160$  mm [6.3 in]



**W 4-Bolt flange, Wheel Motor**  
spigot diameter  $\varnothing 160$  mm [6.3 in] - BC  $\varnothing 200$  mm [7.874 in]



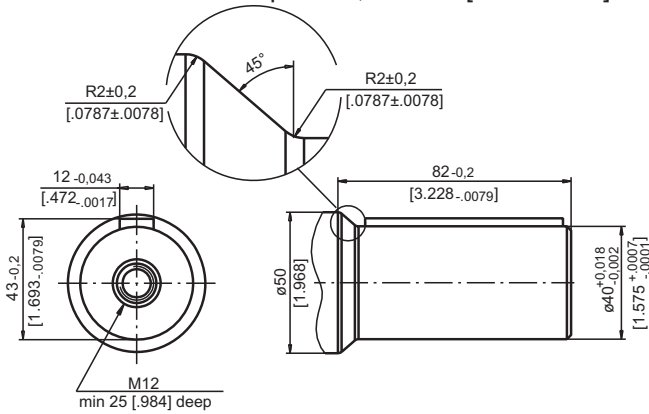
mm [in]



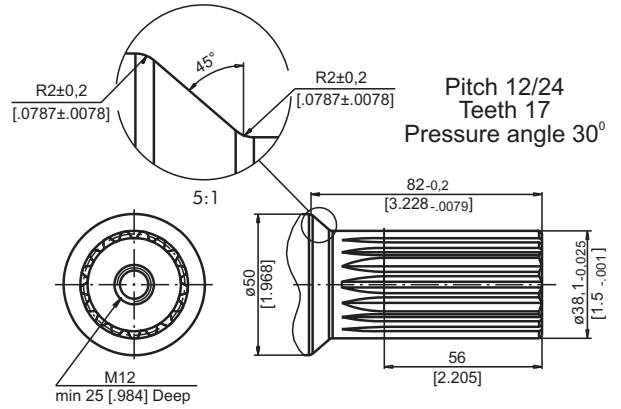


## SHAFT EXTENSIONS

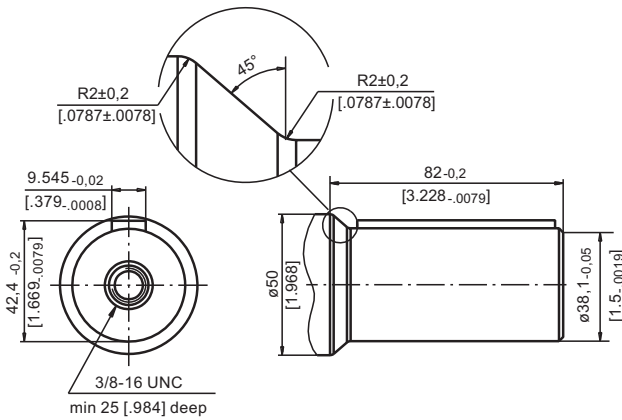
**C** -  $\varnothing 40$  straight, Parallel key A12x8x70 DIN 6885  
Max. Torque 132,8 daNm [11755 lb-in]



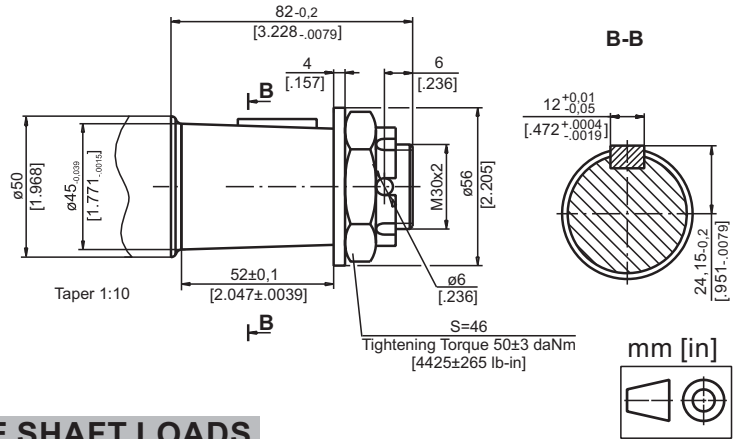
**SH** -  $\varnothing 1\frac{1}{2}$ " splined 17T, DP 12/24 ANSI B92.1-1976  
Max. Torque 132,8 daNm [11755 lb-in]



**CO** -  $\varnothing 1\frac{1}{2}$ " straight, Parallel key  $\frac{3}{8}$ " x  $\frac{3}{8}$ " x  $\frac{1}{4}$ " BS46  
Max. Torque 132,8 daNm [11755 lb-in]

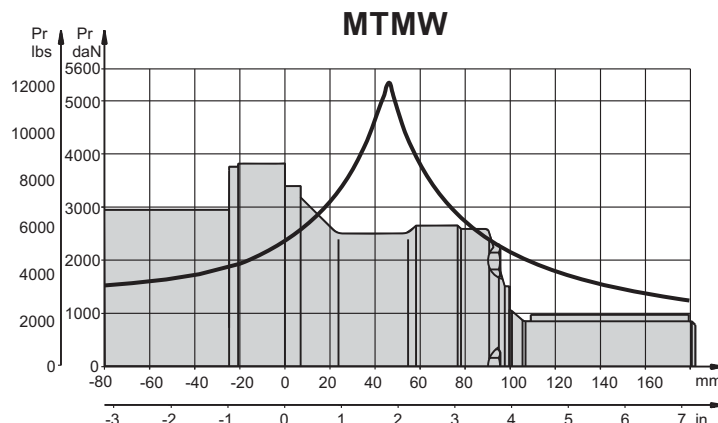
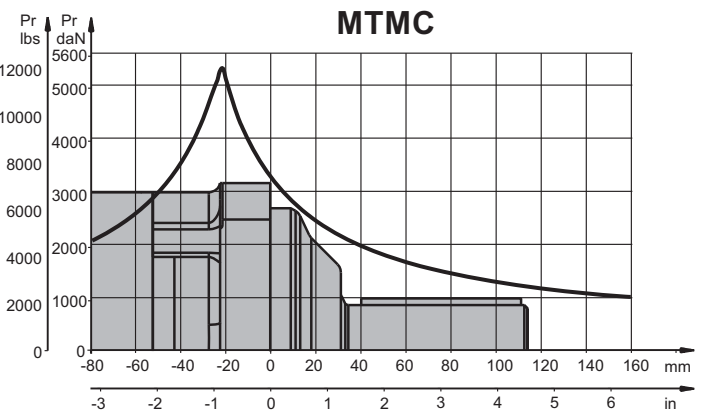
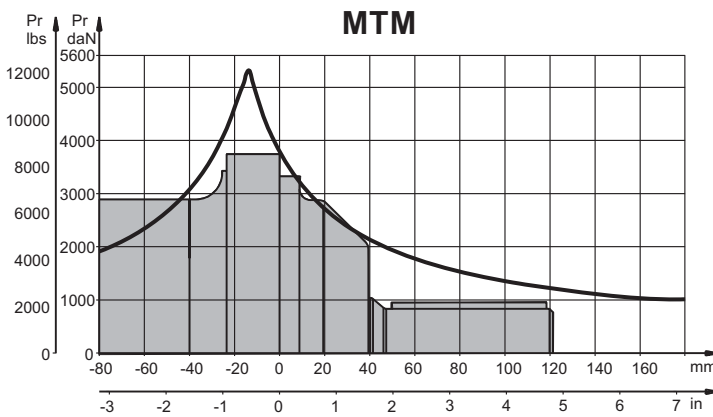


**K** - tapered 1:10, Parallel key B12x8x28 DIN 6885  
Max. Torque 210,7 daNm [18650 lb-in]

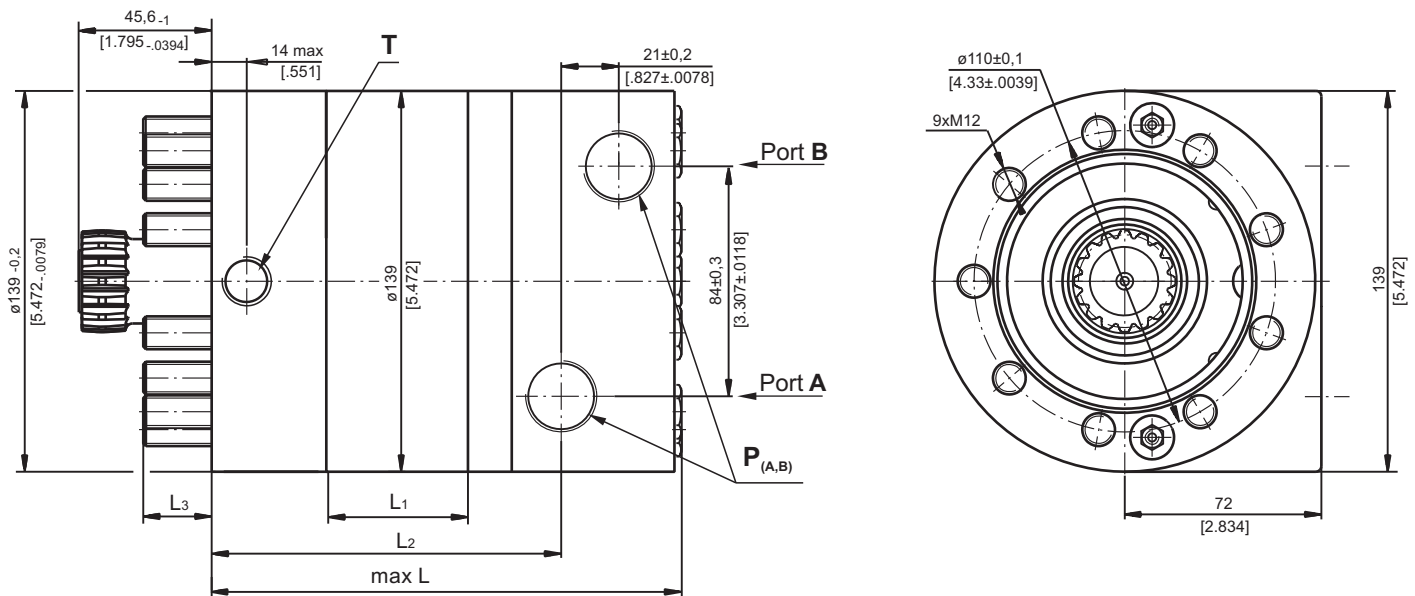


## PERMISSIBLE SHAFT LOADS

The curves apply to a B10 bearing life (ISO281) of 2000 hours at 200 RPM.



## DIMENSIONS AND MOUNTING DATA - MTMV



**P<sub>(A,B)</sub>**: 2xG3/4 - 17 mm [.669 in] depth  
**T** : G1/4 12 mm [.472 in] depth (plugged)

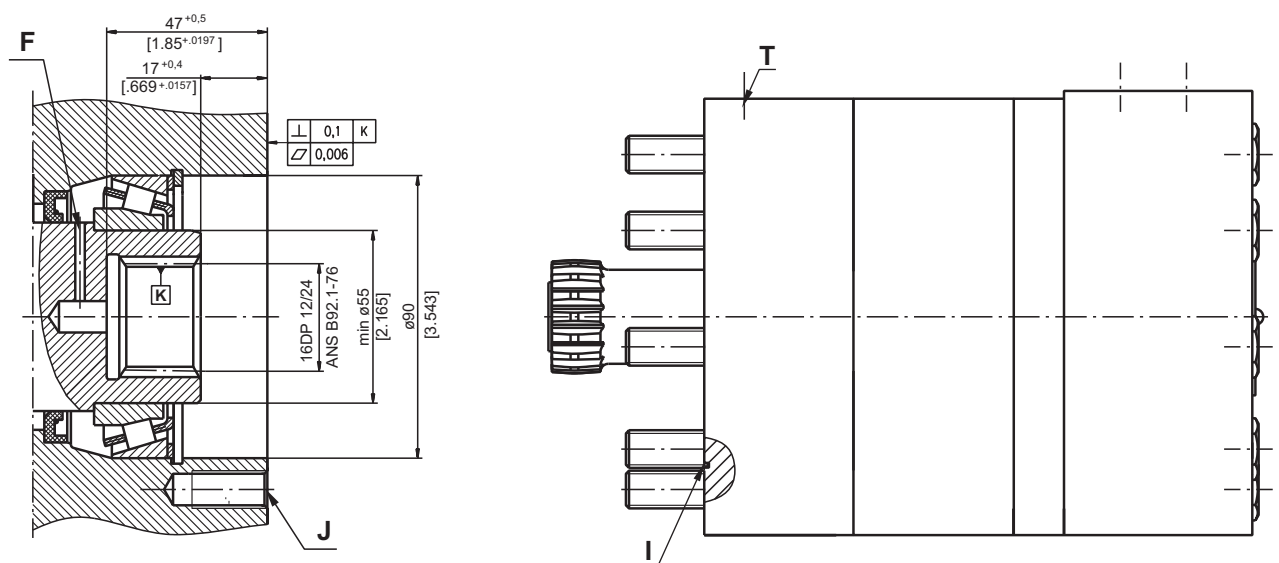
**Standard Rotation**  
 Viewed from Shaft End  
 Port A Pressurized - CW  
 Port B Pressurized - CCW

**Reverse Rotation**  
 Viewed from Shaft End  
 Port A Pressurized - CCW  
 Port B Pressurized - CW

Type	L, mm [in]	L <sub>1</sub> , mm [in]	L <sub>2</sub> , mm [in]	L <sub>3</sub> , mm [in]
MTMV 200	151 [5.945]	25 [.98]	106,5 [4.193]	27,8 [1.094]
MTMV 250	157 [6.181]	31,3 [1.23]	112,8 [4.441]	26,5 [1.043]
MTMV 315	167 [6.575]	40,5 [1.59]	122,0 [4.803]	22,3 [.878]
MTMV 400	177 [6.968]	51 [2.01]	132,5 [5.217]	21,8 [.858]
MTMV 470	185 [7.283]	59 [2.32]	140,5 [5.531]	23,8 [.937]
MTMV 500	191 [7.520]	65 [2.56]	146,5 [5.768]	27,8 [1.094]
MTMV 630	187 [7.362]	61 [2.40]	142,5 [5.610]	21,8 [.858]
MTMV 725	196 [7.717]	70 [2.76]	151,5 [5.965]	22,8 [.898]

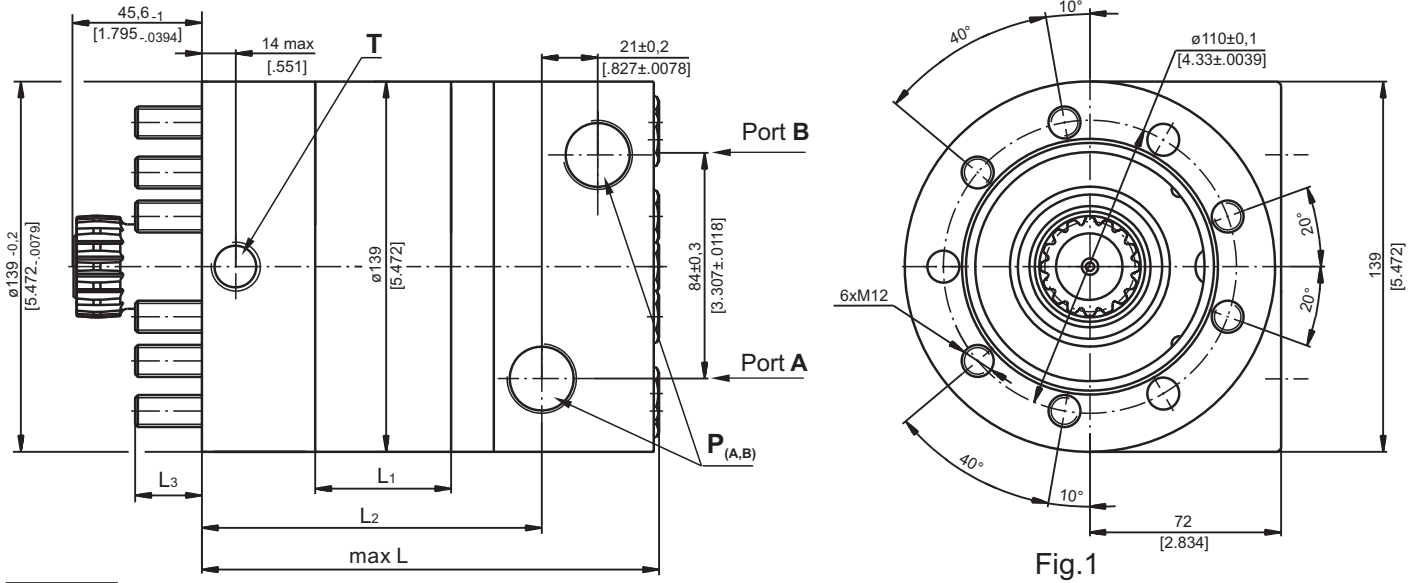
**Warning:** Drain line should always be used.  
 This is not applicable for option "1" (with check valves)!

## DIMENSIONS OF THE ATTACHED COMPONENT



**F:** Oil circulation hole  
**J:** 9xM12-30 mm [1.181 in] depth, 40°, ø110±0,1 [4.33±.0039]  
**I:** O- Ring 93x1,5mm [3.661x.059 in]  
**T:** Drain connection G1/4

## DIMENSIONS AND MOUNTING DATA - MTM6V



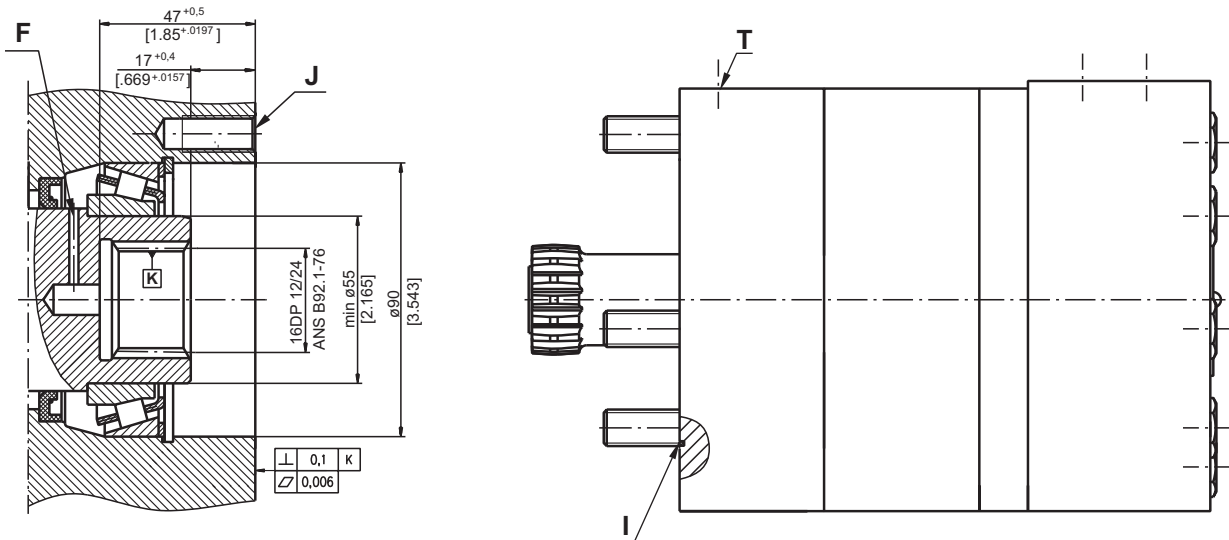
$P_{(A,B)}$ : 2xG3/4 - 17 mm [.669 in] depth  
**T** : G1/4 12 mm [.472 in] depth (plugged)

<b>Standard Rotation</b>	<b>Reverse Rotation</b>
Viewed from Shaft End	Viewed from Shaft End
Port <b>A</b> Pressurized - <b>CW</b>	Port <b>A</b> Pressurized - <b>CCW</b>
Port <b>B</b> Pressurized - <b>CCW</b>	Port <b>B</b> Pressurized - <b>CW</b>

Type	L, mm [in]	L <sub>1</sub> , mm [in]	L <sub>2</sub> , mm [in]	L <sub>3</sub> , mm [in]
MTM6V 200	151 [5.945]	25 [.98]	106,5 [4.193]	27,8 [1.094]
MTM6V 250	157 [6.181]	31,3 [1.23]	112,8 [4.441]	26,5 [1.043]
MTM6V 315	167 [6.575]	40,5 [1.59]	122,0 [4.803]	22,3 [.878]
MTM6V 400	177 [6.968]	51 [2.01]	132,5 [5.217]	21,8 [.858]
MTM6V 470	185 [7.283]	59 [2.32]	140,5 [5.531]	23,8 [.937]
MTM6V 500	191 [7.520]	65 [2.56]	146,5 [5.768]	27,8 [1.094]
MTM6V 630	187 [7.362]	61 [2.40]	142,5 [5.610]	21,8 [.858]
MTM6V 725	196 [7.717]	70 [2.76]	151,5 [5.965]	22,8 [.898]

**Warning:** Drain line should always be used.  
 This is not applicable for option "1" (with check valves)!

### DIMENSIONS OF THE ATTACHED COMPONENT FOR MTM6V



**F:** Oil circulation hole  
**J:** 9xM12-30 mm [1.181 in] depth, 40°,  $\varnothing 110 \pm 0,1$  [4.33 ± 0.0039]  
 or 6xM12-30 mm [1.181 in] depth, situated in accordance with the bolts M12, shown on Fig.1,  $\varnothing 110 \pm 0,1$  [4.33 ± 0.0039]  
**I:** O- Ring 93x1,5mm [3.661x.059 in]  
**T:** Drain connection G1/4

### DRAIN CONNECTION

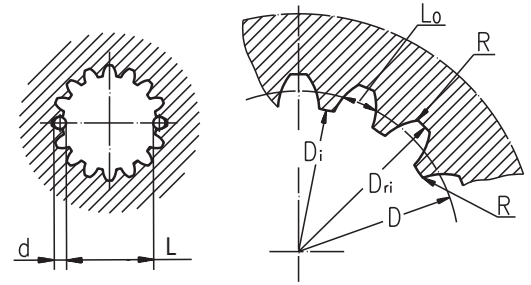
A drain line ought to be used when pressure in the return line can exceed the permissible pressure. It can be connected to the drain connection of the attached component. The maximum pressure in the drain line is limited by the attached component and its shaft seal.

The drain line must be possible for oil to flow freely between motor and attached component and must be led to the tank. The maximum pressure in the drain line is limited by the attached component and its seal.

## INTERNAL SPLINE DATA FOR THE ATTACHED COMPONENT

Standard ANS B92.1-1976, class 5  
 $[m=2.1166; \text{corrected } x.m=+1,0]$

Fillet Root Side Fit		inch	mm
Number of Teeth	z	16	16
Diametral Pitch	DP	12/24	12/24
Pressure Angle		30 <sup>0</sup>	30 <sup>0</sup>
Pitch Dia.	D	1.3333	33,8656
Major Dia.	D <sub>ri</sub>	1.5118÷1.5275	38,4 <sup>+0,4</sup>
Minor Dia.	D <sub>i</sub>	1.2657÷1.2673	32,15 <sup>+0,04</sup>
Circular Space Width	L <sub>o</sub>	.1763÷.1791	4,516±0,037
Fillet Radius	R	.02	0,5
Dimension Between Two Pins	L	1.063÷1.059	26,9 <sup>+0,10</sup>
Pin Dia.	d	.19026÷.19034	4,835±0,001



**Hardening Specification:**  
 HV=750±50 on the surface.  
 HV=560 at 0,7±0,2 [.035±.019] case depth  
 Material: 20 MoCr4 EN 10084 or SAE8620.

### ORDER CODE

	1	2	3	4	5	6	7
<b>MTM</b>						<b>HD</b>	

#### Pos.1 - Mounting Flange

- omit - 4-Bolt flange, spigot dia. ø160, BC ø200
- C** - 4-Bolt flange, spigot dia. ø125, BC ø160
- W** - Wheel mount
- V\*\*\*** - Very short mount, 9xM12 mounting bolts
- 6V\*\*\*** - Very short mount, 6xM12 mounting bolts

#### Pos.2 - Displacement code

- 200** - 201,4 cm<sup>3</sup>/rev [12.29 in<sup>3</sup>/rev]
- 250** - 251,8 cm<sup>3</sup>/rev [15.36 in<sup>3</sup>/rev]
- 315** - 326,3 cm<sup>3</sup>/rev [19.90 in<sup>3</sup>/rev]
- 400** - 410,9 cm<sup>3</sup>/rev [25.06 in<sup>3</sup>/rev]
- 470** - 475,0 cm<sup>3</sup>/rev [28.97 in<sup>3</sup>/rev]
- 500** - 523,6 cm<sup>3</sup>/rev [31.95 in<sup>3</sup>/rev]
- 630** - 631,2 cm<sup>3</sup>/rev [38.52 in<sup>3</sup>/rev]
- 725** - 724,3 cm<sup>3</sup>/rev [44.20 in<sup>3</sup>/rev]

#### Pos.3 - Shaft Extensions\*

- C** - ø40 straight, Parallel key A12x8x70 DIN6885
- CO** - ø1½" straight, Parallel key 3/8"x3/8"x2¼" BS46
- K** - ø45 tapered 1:10, Parallel key B12x8x28 DIN6885
- SH** - ø1½" splined 17T ANSI B92.1-1976

#### Pos.4 - Check Valves

- omit - without check valves
- 1** - with check valves

#### Pos.5 - Ports

- omit - BSPP (ISO 228)

#### Pos.6 - Special Features

- HD** - Reinforced motor HD\*\*  
 For Other **Special Features** [see page 52](#)

#### Pos.7 - Design Series

- omit - Factory specified

#### NOTES:

- \* The permissible output torque for shafts must not be exceeded!
- \*\* Drain line should always be used.  
 This is not applicable for option "1" (with check valves)!
- \*\*\* The following combinations are not allowed:  
 - **V** and **6V** flange with shafts pos.3

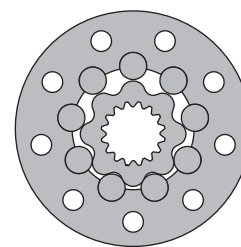
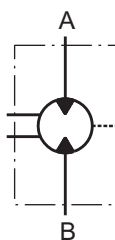
The hydraulic motors are mangano-phosphatized as standard.

# HYDRAULIC MOTORS TMF



## APPLICATION

- » Marine equipment
- » Forestry equipment
- » Metal working machines
- » Agriculture machines
- » Road building machines
- » Mining machinery
- » Special vehicles etc.



## CONTENTS

Specification data .....	30
Function diagrams .....	31÷34
Dimensions and mounting TMF.....	35
Dimensions and mounting TMFA .....	36
Permissible shaft loads .....	37
Order code .....	37

## OPTIONS

- » Model- Disc valve, roll-gerotor
- » Wheel mounting flange
- » Side ports
- » Shaft- thread hole flange
- » SAE and BSPP ports
- » Other special features

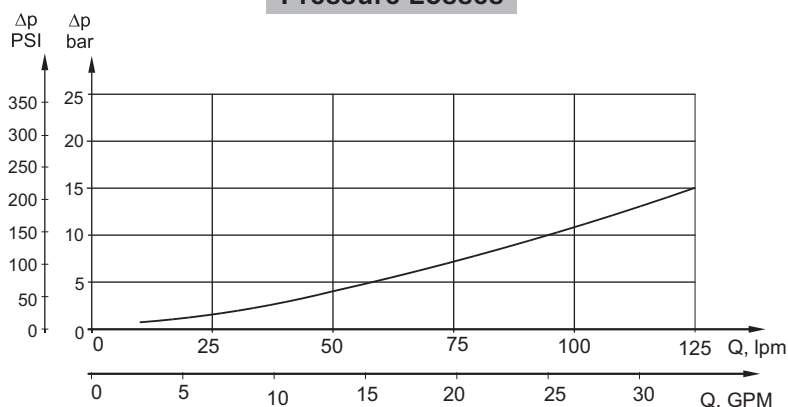
## GENERAL

<b>Max. Displacement,</b> cm <sup>3</sup> /rev [in <sup>3</sup> /rev]	724,3 [44.2]
<b>Max. Speed,</b> [RPM]	750
<b>Max. Torque,</b> daNm [lb-in]	cont.: 175 [15490] int.: 215 [16030]
<b>Max. Output,</b> kW [HP]	70 [94]
<b>Max. Pressure Drop,</b> bar [PSI]	cont.: 250 [3600] int.: 350 [5080]
<b>Max. Oil Flow,</b> lpm [GPM]	150 [40]
<b>Min. Speed,</b> [RPM]	5
<b>Permissible Shaft Loads</b> daN [lbs]	P <sub>a</sub> =1000 [2250]
<b>Pressure fluid</b>	Mineral based- HLP(DIN 51524) or HM(ISO 6743/4)
<b>Temperature range,</b> °C [°F]	-40÷140 [-40÷284]
<b>Optimal Viscosity range,</b> mm <sup>2</sup> /s [SUS]	20÷75 [98÷347]
<b>Filtration</b>	ISO code 20/16 (Min. recommended fluid filtration of 25 micron)

### Oil flow in drain line

Pressure drop bar [PSI]	Viscosity mm <sup>2</sup> /s [SUS]	Oil flow in drain line lpm [GPM]
200 [2900]	20 [98]	2,5 [.660]
	35 [164]	1,5 [.400]
275 [3990]	20 [98]	4 [1.057]
	35 [164]	2,5 [.660]

### Pressure Losses



## SPECIFICATION DATA

Type	TMF 200	TMF 250	TMF 315	TMF 400	TMF 470	TMF 500	TMF 630	TMF 725	
<b>Displacement, cm<sup>3</sup>/rev [in<sup>3</sup>/rev]</b>	201,4 [12.29]	251,8 [15.36]	326,3 [19.9]	410,9 [25.06]	475 [28.97]	523,6 [31.95]	631,2 [38.52]	724 [44.2]	
<b>Max. Speed, [RPM]</b>	Cont.	625	500	380	305	260	240	185	170
	Int.*	750	600	460	365	315	285	225	215
<b>Max. Torque daNm [lb-in]</b>	Cont.	74 [6550]	90[7965]	116[10265]	147[13010]	171[15135]	172[15225]	175[15490]	160[14160]
	Int.*	102 [9030]	128[11330]	163[14425]	206[18232]	215[16030]	215[19030]	215[19030]	192[17000]
	Peak**	115[10180]	144[12745]	186[16460]	235[20800]	240[21240]	240[21240]	250[21225]	240[21240]
<b>Max. Output kW [HP]</b>	Cont.	41 [55]	41 [55]	41 [55]	41 [55]	41 [55]	37,5 [50]	28 [37,5]	26 [35]
	Int.*	65 [87]	70 [94]	70 [94]	70 [94]	55 [74]	51 [68]	42 [56]	40 [54]
<b>Max. Pressure Drop bar [PSI]</b>	Cont.	250[3600]	250[3600]	250[3600]	250[3600]	250[3600]	230[3340]	185[2680]	160[2320]
	Int.*	350[5080]	350[5080]	350[5080]	350[5080]	350[5080]	280[4060]	225[3260]	210[3045]
	Peak**	400[5800]	400[5800]	400[5800]	400[5800]	400[5800]	320[4640]	270[3915]	260[3770]
<b>Max. Oil Flow lpm [GPM]</b>	Cont.	125[33]	125[33]	125[33]	125[33]	125[33]	125[33]	125[33]	125[33]
	Int.*	150[40]	150[40]	150[40]	150[40]	150[40]	150[40]	150[40]	150[40]
<b>Max. Inlet Pressure bar [PSI]</b>	Cont.	270[3920]	270[3920]	270[3920]	270[3920]	270[3920]	270[3920]	270[3920]	270[3920]
	Int.*	370[5370]	370[5370]	370[5370]	370[5370]	370[5370]	370[5370]	370[5370]	370[5370]
	Peak**	420[6100]	420[6100]	420[6100]	420[6100]	420[6100]	420[6100]	420[6100]	420[6100]
<b>Max. Return Pressure without Drain Line or Max. Pressure in Drain Line, bar [PSI]</b>	Cont. 0-100 RPM	75 [1100]	75 [1100]	75 [1100]	75 [1100]	75 [1100]	75 [1100]	75 [1100]	75 [1100]
	Cont. 100-300 RPM	40 [580]	40 [580]	40 [580]	40 [580]	40 [580]	40 [580]	40 [580]	40 [580]
	Cont. >300 RPM	20 [290]	20 [290]	20 [290]	20 [290]	20 [290]	-	-	-
	Int.* 0-max. RPM	75 [1100]	75 [1100]	75 [1100]	75 [1100]	75 [1100]	75 [1100]	75 [1100]	75 [1100]
<b>Max. Return Pressure with Drain Line bar [PSI]</b>	Cont.	140[2000]	140[2000]	140[2000]	140[2000]	140[2000]	140[2000]	140[2000]	140[2000]
	Int.*	175[2500]	175[2500]	175[2500]	175[2500]	175[2500]	175[2500]	175[2500]	175[2500]
	Peak**	210[3000]	210[3000]	210[3000]	210[3000]	210[3000]	210[3000]	210[3000]	210[3000]
<b>Max. Starting Pressure with Unloaded Shaft, bar [PSI]</b>	6 [90]	6 [90]	6 [90]	6 [90]	6 [90]	6 [90]	6 [90]	6 [90]	
<b>Min. Starting Torque daNm [lb-in]</b>	60[5310]	75[6640]	97[8585]	122[10800]	142[12570]	143[12655]	145[12830]	148[13100]	
<b>Min. Speed***, [RPM]</b>	5	5	5	5	5	5	5	5	
<b>Weight, kg [lb]</b>	26,9[59.3]	27,3[60.2]	28,1[62]	29 [64]	29,7[65.5]	30,2[66.6]	29,7[65.5]	31[68.4]	

\* Intermittent operation: the permissible values may occur for max. 10% of every minute.

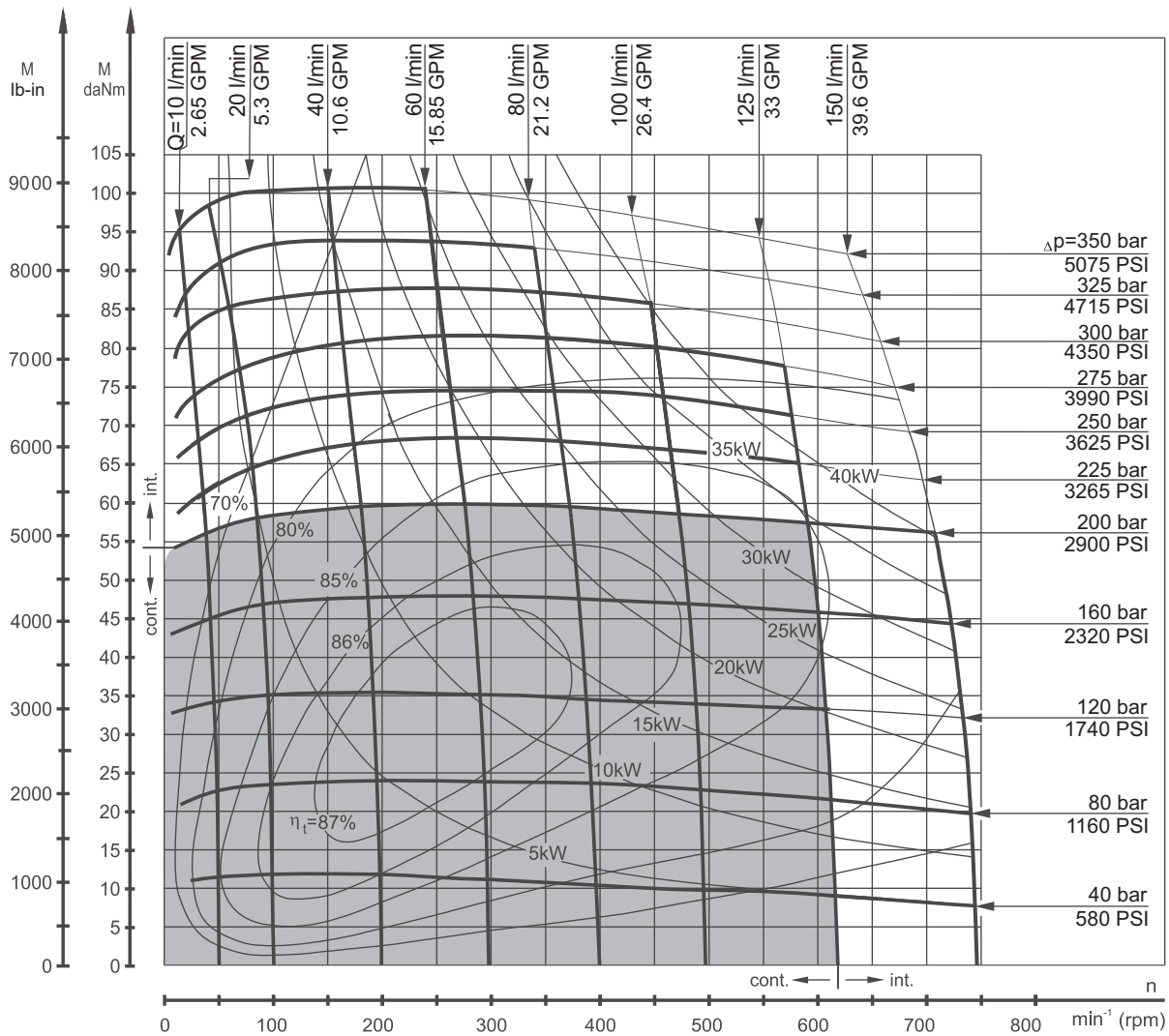
\*\* Peak load: the permissible values may occur for max. 1% of every minute.

\*\*\* For speeds lower than given, consult factory or your regional manager.

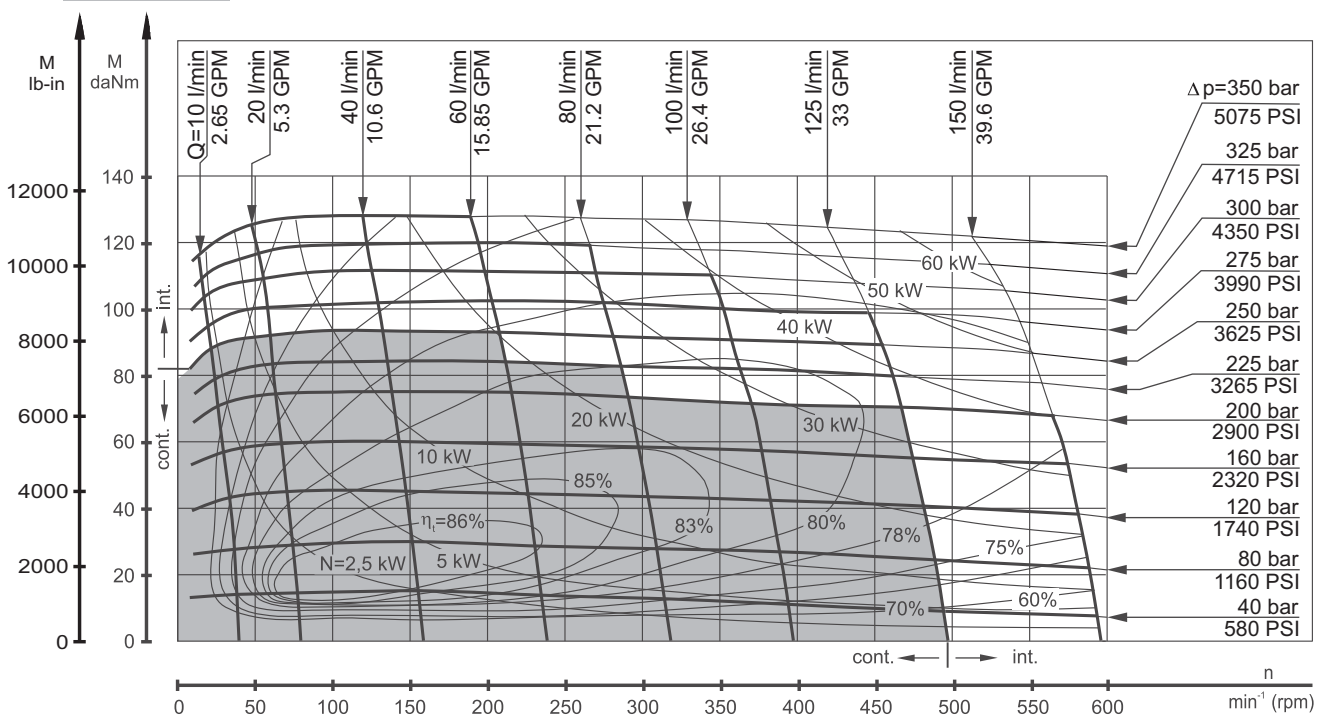
- Intermittent speed and intermittent pressure must not occur simultaneously.
- Recommended filtration is per ISO cleanliness code 20/16. A nominal filtration of 25 micron or better.
- Recommend using a premium quality, anti-wear type mineral based hydraulic oil, HLP(DIN51524) or HM(ISO6743/4). If using synthetic fluids consult the factory for alternative seal materials.
- Recommended minimum oil viscosity 70 SUS [13 cm<sup>2</sup>/s] at 50°C [122°F].
- Recommended maximum system operating temperature is 82°C [180°F].
- To assure optimum motor life fill with fluid prior to loading and run at moderate load and speed for 10-15 minutes.

**FUNCTION DIAGRAMS**

**TMF 200**



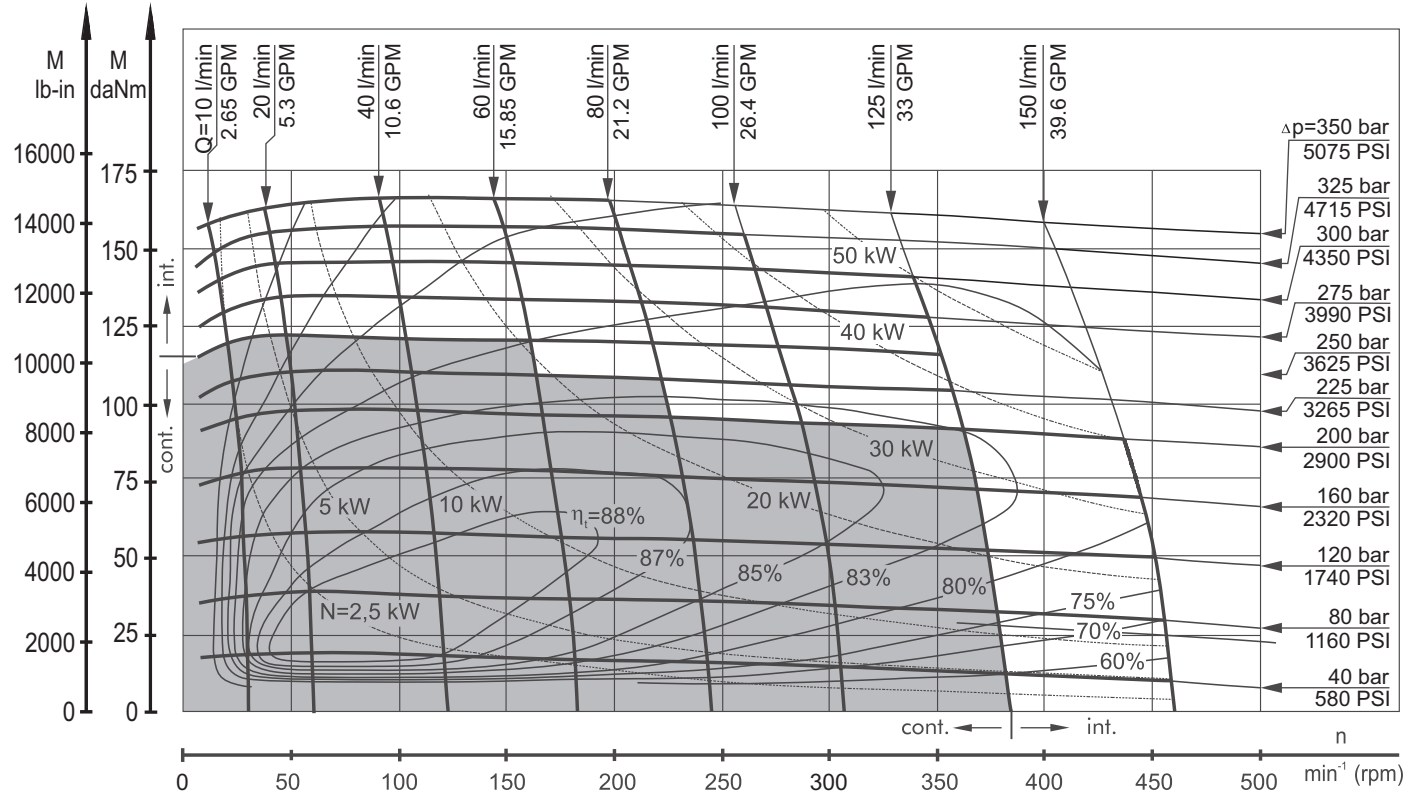
**TMF 250**



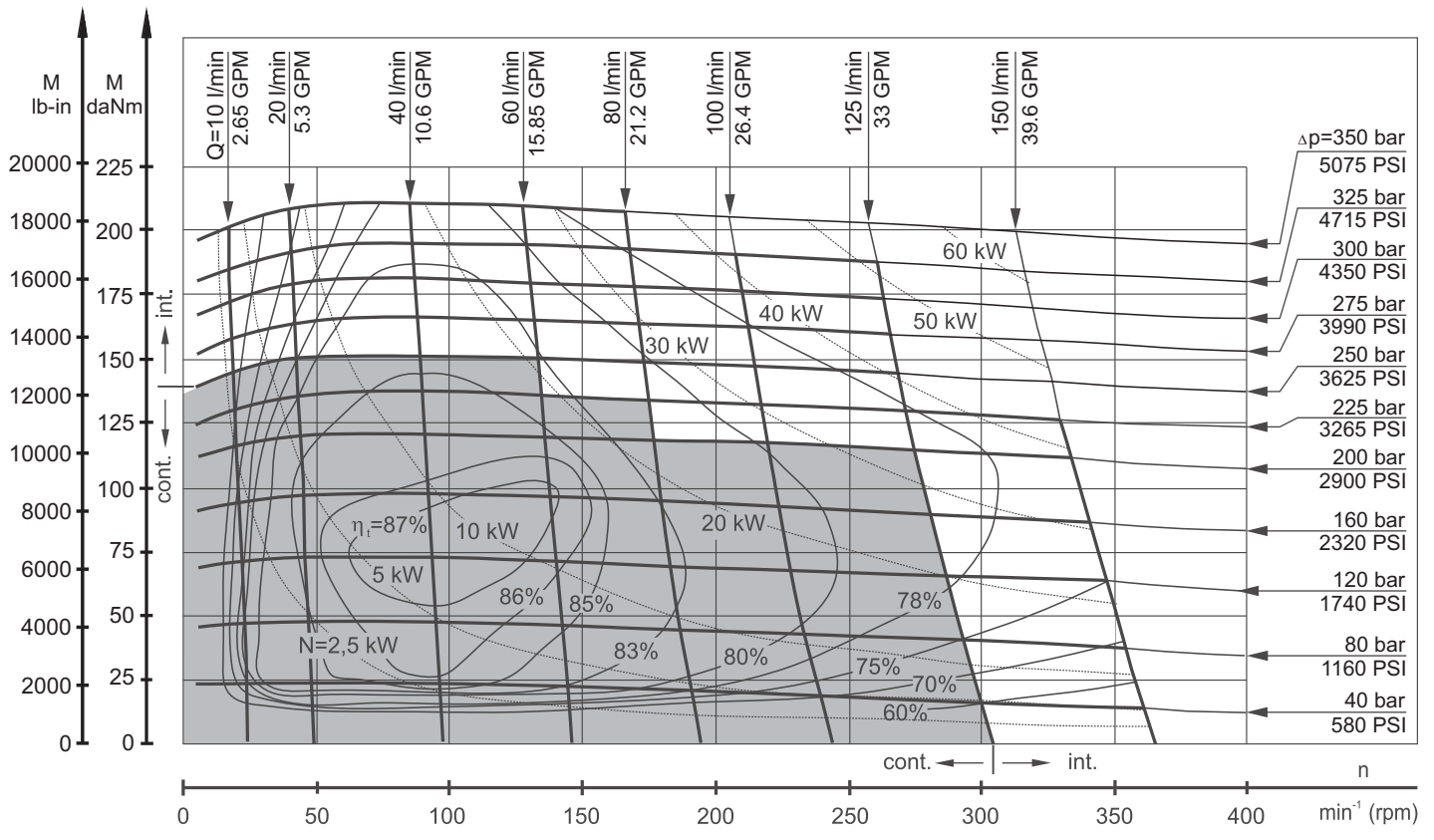
The function diagrams data was collected at back pressure 5÷10 bar (72.5 PSI÷145 PSI) and oil with viscosity of 32 mm<sup>2</sup>/s [150 SUS] at 50°C [122°F].

**FUNCTION DIAGRAMS**

**TMF 315**



**TMF 400**

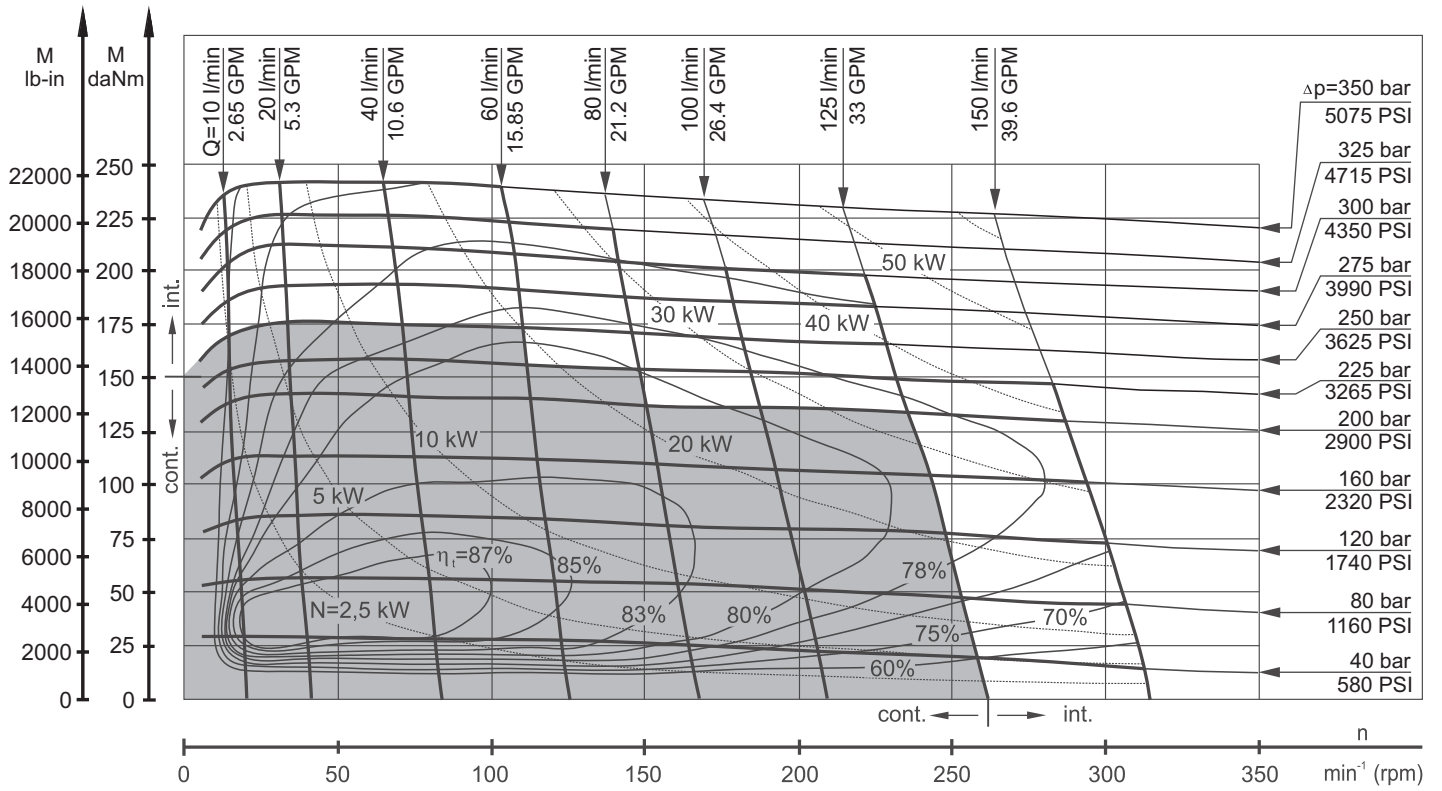


The function diagrams data was collected at back pressure 5÷10 bar (72.5 PSI÷145 PSI) and oil with viscosity of 32 mm<sup>2</sup>/s [150 SUS] at 50°C [122°F].

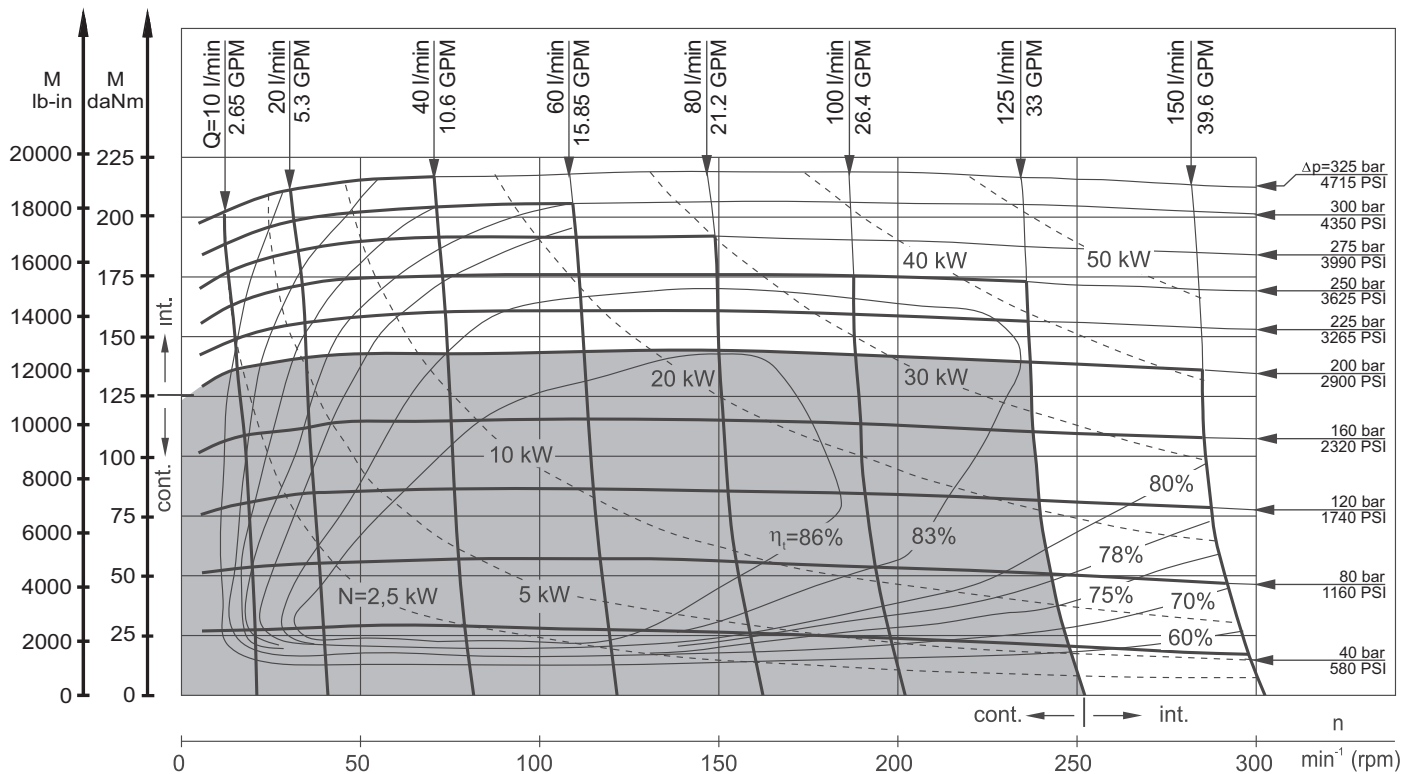


**FUNCTION DIAGRAMS**

**TMF 470**



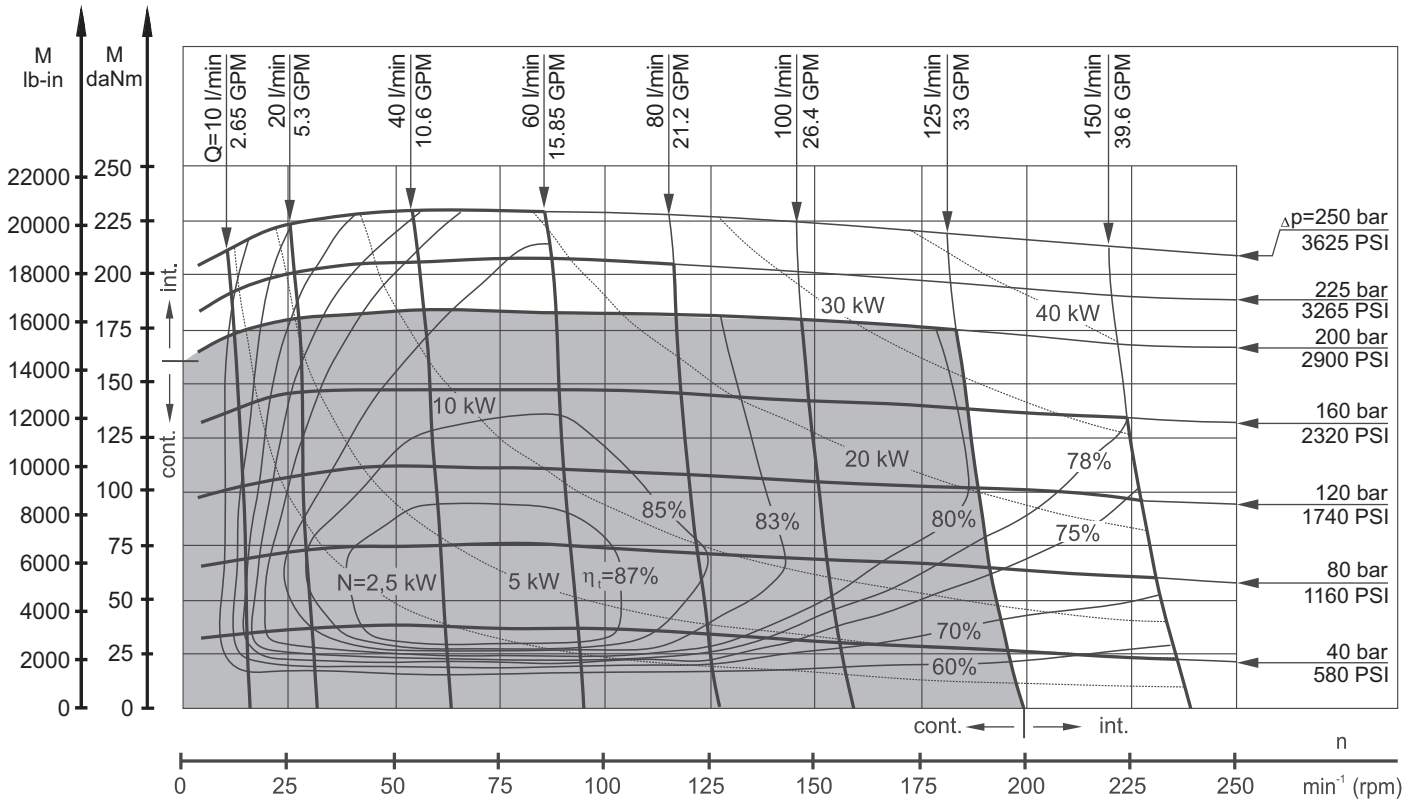
**TMF 500**



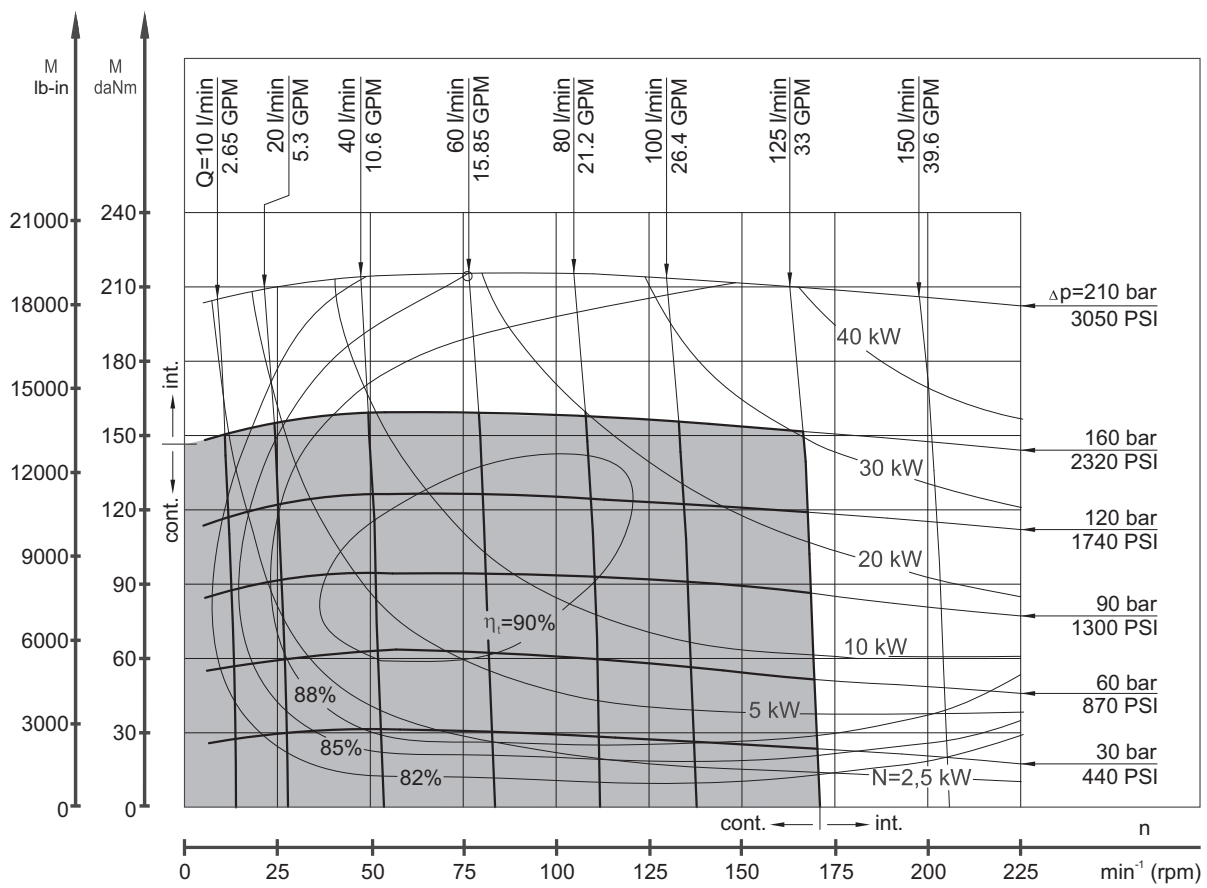
The function diagrams data was collected at back pressure 5÷10 bar (72.5 PSI÷145 PSI) and oil with viscosity of 32 mm<sup>2</sup>/s [150 SUS] at 50°C [122°F].

**FUNCTION DIAGRAMS**

**TMF 630**

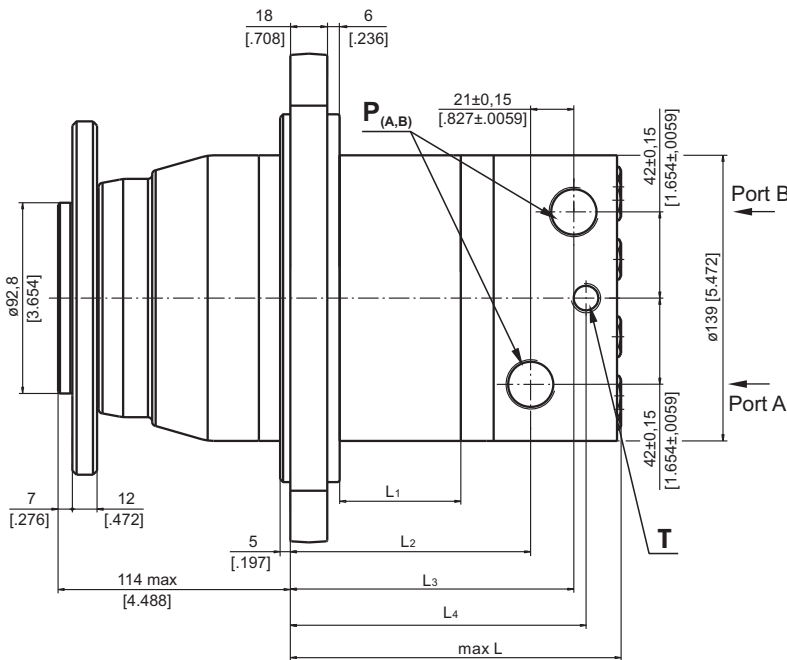
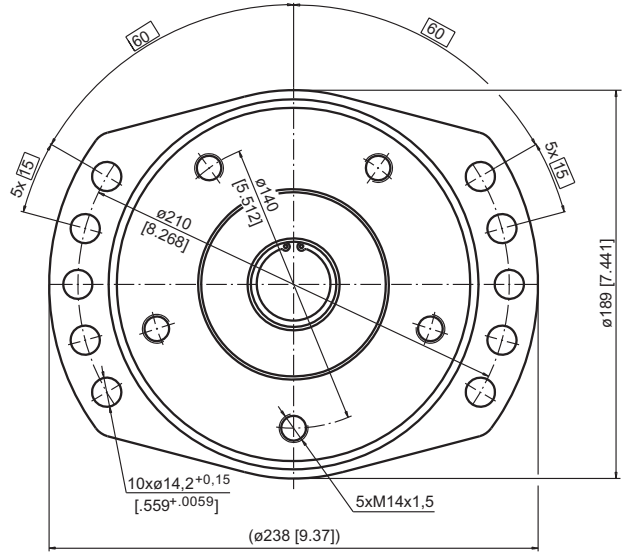
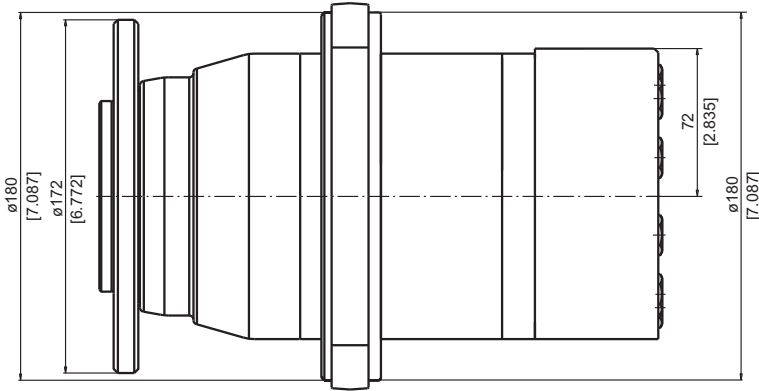


**TMF 725**

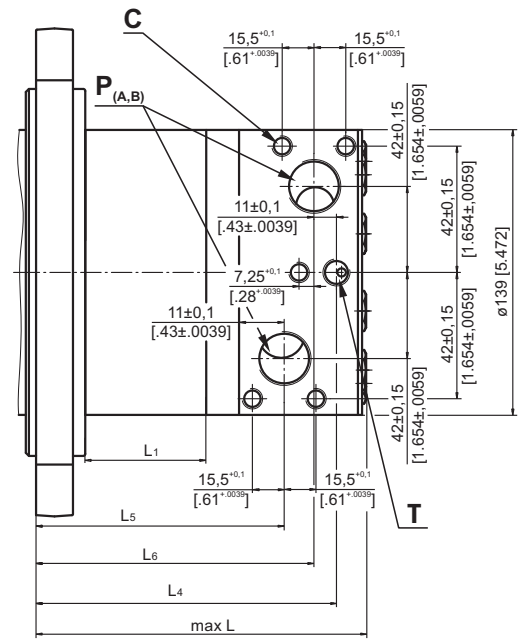


The function diagrams data was collected at back pressure 5+10 bar (72.5 PSI+145 PSI) and oil with viscosity of 32 mm<sup>2</sup>/s [150 SUS] at 50°C [122°F].

**DIMENSIONS AND MOUNTING DATA - TMF**



**TMF - version 3**



**Warning:** Drain line should always be used.

	Versions		
	2	3	4
<b>P<sub>(A,B)</sub></b>	2xG3/4 17 mm [.669 in] depth	2xG3/4 17 mm [.669 in] depth	2x1 1/16-12 UN 17 mm [.669 in] depth O-ring
<b>T</b>	G1/4 12 mm [.472 in] depth	G1/4 12 mm [.472 in] depth	9/16-18 UN 12 mm [.472 in] depth O-ring
<b>C</b>	-	5xM10 17 mm [.669 in] depth	-

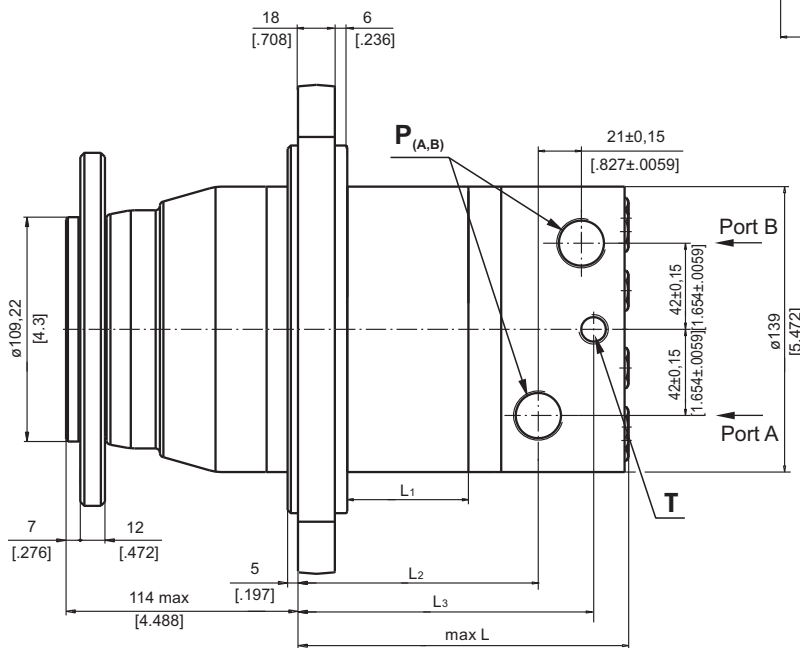
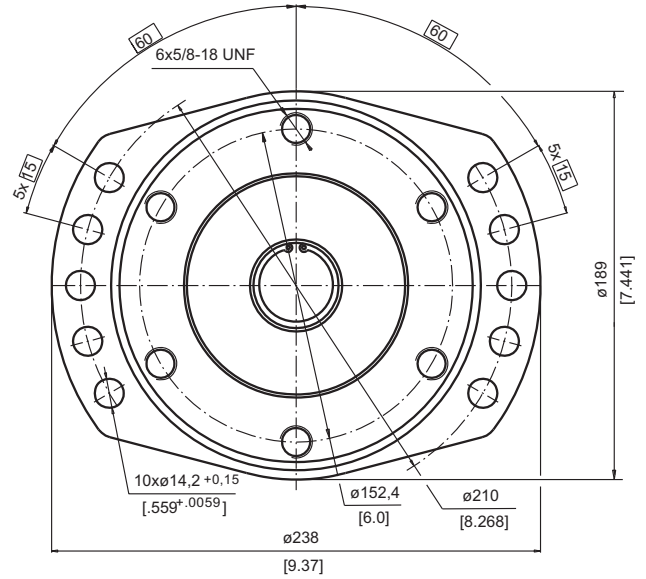
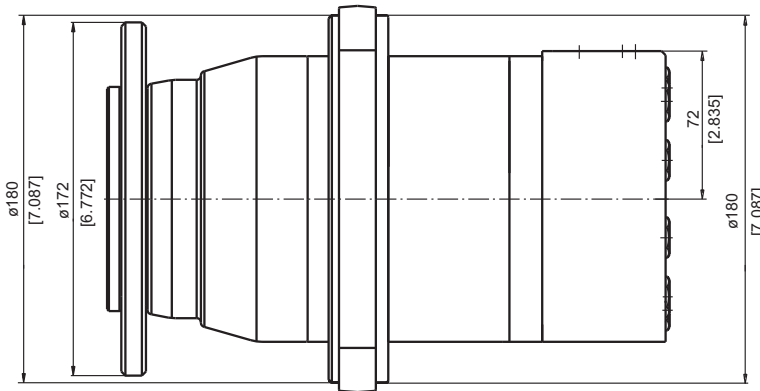


**Standard Rotation**  
Viewed from Shaft End  
Port A Pressurized - **CW**  
Port B Pressurized - **CCW**

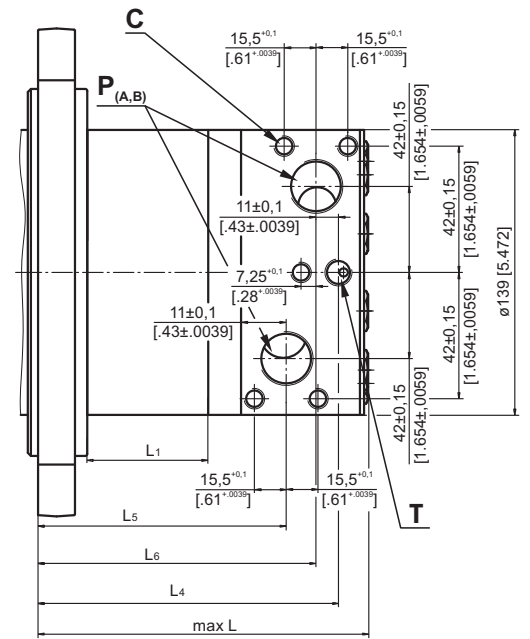
**Reverse Rotation**  
Viewed from Shaft End  
Port A Pressurized - **CCW**  
Port B Pressurized - **CW**

Type	L, mm [in]	L <sub>1</sub> , mm [in]	L <sub>2</sub> , mm [in]	L <sub>3</sub> , mm [in]	L <sub>4</sub> , mm [in]	L <sub>5</sub> , mm [in]	L <sub>6</sub> , mm [in]
TMF 200	126 [4.96]	25,0 [.98]	83,0 [3.27]	104,0 [4.09]	110,3 [4.34]	87,0 [3.43]	101,5 [3.99]
TMF 250	133 [5.24]	31,3 [1.23]	89,3 [3.52]	110,3 [4.34]	116,6 [4.59]	93,5 [3.68]	108,0 [4.25]
TMF 315	142 [5.59]	40,5 [1.59]	98,5 [3.88]	119,5 [4.70]	125,8 [4.95]	102,5 [4.04]	117,0 [4.61]
TMF 400	152 [5.98]	51,0 [2.01]	109,0 [4.29]	130,0 [5.12]	136,3 [5.37]	113,0 [4.45]	127,5 [5.02]
TMF 470	161 [6.34]	59,0 [2.32]	117,0 [4.61]	138,0 [5.43]	144,3 [5.68]	121,0 [4.76]	135,0 [5.33]
TMF 500	166 [6.54]	65,0 [2.56]	123,0 [4.84]	144,0 [5.67]	150,3 [5.92]	127,0 [5.00]	141,5 [5.57]
TMF 630	162 [6.38]	61,0 [2.40]	119,0 [4.69]	140,0 [5.51]	146,3 [5.76]	123,0 [4.84]	137,5 [5.41]
TMF 725	171 [6.73]	70,0 [2.76]	128,0 [5.04]	149,0 [5.87]	155,3 [6.11]	132,0 [5.20]	146,5 [5.77]

**DIMENSIONS AND MOUNTING DATA - TMFA**



**TMF - version 3**



**Warning:** Drain line should always be used.

	Versions		
	2	3	4
<b>P<sub>(A,B)</sub></b>	2xG3/4 17 mm [.669 in] depth	2xG3/4 17 mm [.669 in] depth	2x1 1/16-12 UN 17 mm [.669 in] depth O-ring
<b>T</b>	G1/4 12 mm [.472 in] depth	G1/4 12 mm [.472 in] depth	9/16-18 UN 12 mm [.472 in] depth O-ring
<b>C</b>	-	5xM10 17 mm [.669 in] depth	-



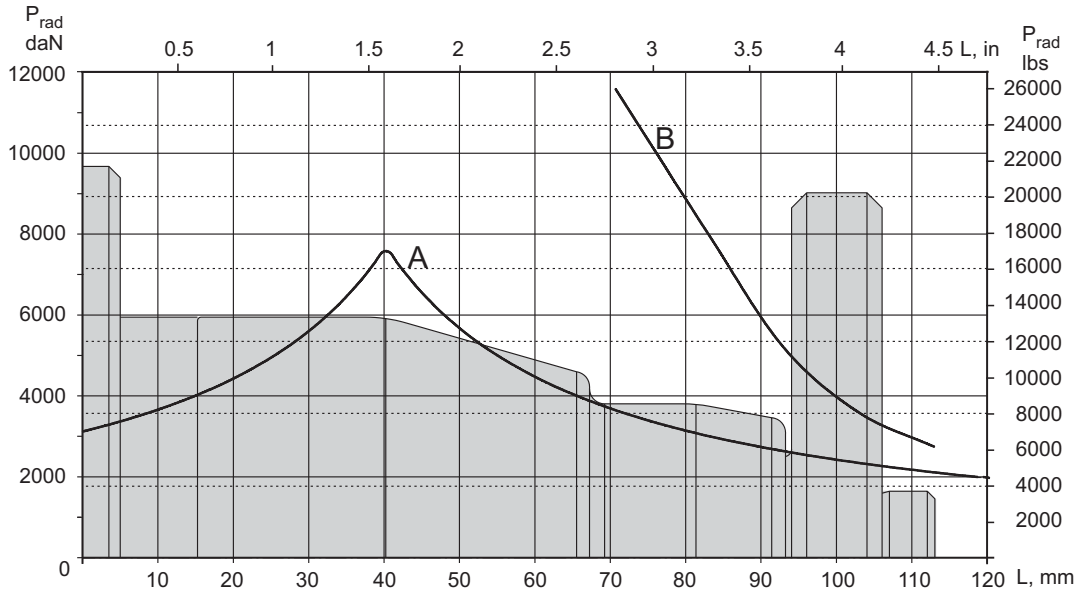
**Standard Rotation**  
Viewed from Shaft End  
Port A Pressurized - **CW**  
Port B Pressurized - **CCW**

**Reverse Rotation**  
Viewed from Shaft End  
Port A Pressurized - **CCW**  
Port B Pressurized - **CW**

Type	L, mm [in]	L <sub>1</sub> , mm [in]	L <sub>2</sub> , mm [in]	L <sub>3</sub> , mm [in]	L <sub>4</sub> , mm [in]	L <sub>5</sub> , mm [in]	L <sub>6</sub> , mm [in]
TMF 200	126 [4.96]	25,0 [.98]	83,0 [3.27]	104,0 [4.09]	110,3 [4.34]	87,0 [3.43]	101,5 [3.99]
TMF 250	133 [5.24]	31,3 [1.23]	89,3 [3.52]	110,3 [4.34]	116,6 [4.59]	93,5 [3.68]	108,0 [4.25]
TMF 315	142 [5.59]	40,5 [1.59]	98,5 [3.88]	119,5 [4.70]	125,8 [4.95]	102,5 [4.04]	117,0 [4.61]
TMF 400	152 [5.98]	51,0 [2.01]	109,0 [4.29]	130,0 [5.12]	136,3 [5.37]	113,0 [4.45]	127,5 [5.02]
TMF 470	161 [6.34]	59,0 [2.32]	117,0 [4.61]	138,0 [5.43]	144,3 [5.68]	121,0 [4.76]	135,0 [5.33]
TMF 500	166 [6.54]	65,0 [2.56]	123,0 [4.84]	144,0 [5.67]	150,3 [5.92]	127,0 [5.00]	141,5 [5.57]
TMF 630	162 [6.38]	61,0 [2.40]	119,0 [4.69]	140,0 [5.51]	146,3 [5.76]	123,0 [4.84]	137,5 [5.41]
TMF 725	171 [6.73]	70,0 [2.76]	128,0 [5.04]	149,0 [5.87]	155,3 [6.11]	132,0 [5.20]	146,5 [5.77]

## PERMISSIBLE SHAFT LOADS

The load diagram is valid for an average bearings life of 2000 hours at 100 RPM



**A** - Permissible radial shaft load.

**B** - Max. radial shaft load. Any shaft load exceeding the values shown in the curve will involve a risk of breakage.

## ORDER CODE

	1	2	3	4	5
<b>TMF</b>				<b>HD</b>	

### Pos.1 - Mounting Flange

omit - Thread hole flange, 5xM14x1,5 on  $\varnothing$ 140 [5.512]

**A** - Thread hole flange, 6x5/8-18 UNF on  $\varnothing$ 152,4 [6.0]

### Pos.2 - Displacement code

**200** - 201,4 cm<sup>3</sup>/rev [12.29 in<sup>3</sup>/rev]

**250** - 251,8 cm<sup>3</sup>/rev [15.36 in<sup>3</sup>/rev]

**315** - 326,3 cm<sup>3</sup>/rev [19.90 in<sup>3</sup>/rev]

**400** - 410,9 cm<sup>3</sup>/rev [25.06 in<sup>3</sup>/rev]

**470** - 475,0 cm<sup>3</sup>/rev [28.97 in<sup>3</sup>/rev]

**500** - 523,6 cm<sup>3</sup>/rev [31.95 in<sup>3</sup>/rev]

**630** - 631,2 cm<sup>3</sup>/rev [38.52 in<sup>3</sup>/rev]

**725** - 724,3 cm<sup>3</sup>/rev [44.20 in<sup>3</sup>/rev]

### Pos.3 - Ports

**2** - side ports, 2xG3/4, G1/4, BSP thread, ISO 228

**3** - side ports, 2xG3/4, G1/4, 5xM10  
BSP thread, ISO 228

**4** - side ports, 2x1 1/16-12 UN, O-ring, 9/16-18 UNF

### Pos.4 - Special Features

**HD** - Reinforced motor **HD**\*

For Other **Special Features** see [page 52](#)

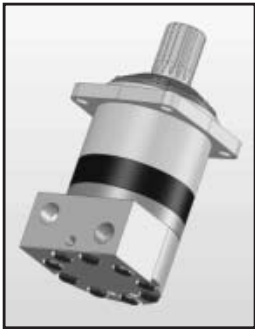
### Pos.5 - Design Series

omit - Factory specified

**NOTES:** \* Drain line should always be used.

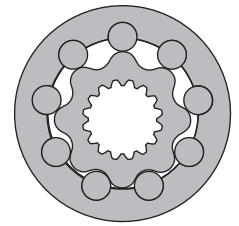
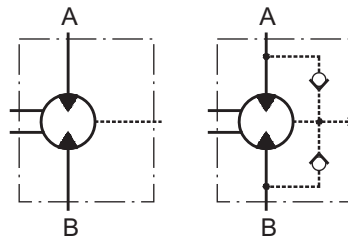
The hydraulic motors are manganophosphatized as standard.

# HYDRAULIC MOTORS MVM



## APPLICATION

- » Conveyors
- » Metal working machines
- » Agricultural machines
- » Road building machines
- » Mining machinery
- » Food industries
- » Special vehicles
- » Plastic and rubber machinery etc.



## CONTENTS

Specification data .....	39
Dimensions and mounting .....	40
Shaft extensions .....	41
Permissible shaft Seal Pressure ....	41
Permissible shaft loads .....	42
Order code .....	42

## OPTIONS

- » Model - Disc valve, roll-gerotor
- » Flange with wheel mount
- » Short motor
- » Side ports
- » Shafts - straight, splined and tapered
- » BSPP ports;
- » Other special features.

## EXCELLENCE

- » High torque and pressure drop
- » High inlet pressure
- » High starting torque
- » Improved efficiency at high pressure drop
- » Smooth operation at low speed
- » High radial and axial bearing capacity

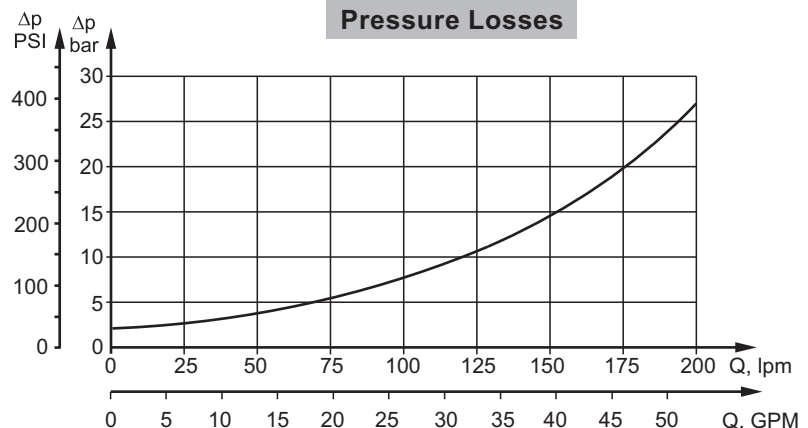
## GENERAL

<b>Max. Displacement,</b> cm <sup>3</sup> /rev [in <sup>3</sup> /rev]	801,8 [48.91]
<b>Max. Speed,</b> [RPM]	763
<b>Max. Torque,</b> daNm [lb-in]	cont.: 259 [22920] int.: 340 [30090]
<b>Max. Output,</b> kW [HP]	112 [150]
<b>Max. Pressure Drop,</b> bar [PSI]	cont.: 250 [3630] int.: 350 [5080]
<b>Max. Oil Flow,</b> lpm [GPM]	240 [63.4]
<b>Min. Speed,</b> [RPM]	5
<b>Permissible Shaft Loads,</b> daN [lbs]	Pa=1500 [3370]
<b>Pressure fluid</b>	Mineral based- HLP(DIN 51524) or HM(ISO 6743/4)
<b>Temperature range,</b> °C [°F]	-40÷140 [-40÷284]
<b>Optimal Viscosity range,</b> mm <sup>2</sup> /s [SUS]	20÷75 [98÷347]
<b>Filtration</b>	ISO code 20/16 (Min. recommended fluid filtration of 25 microns)

### Oil flow in drain line

Pressure drop bar [PSI]	Viscosity mm <sup>2</sup> /s [SUS]	Oil flow in drain line lpm [GPM]
140 [2030]	20 [98]	3 [.793]
	35 [164]	2 [.528]
210 [3045]	20 [98]	6 [1.585]
	35 [164]	4 [1.057]

### Pressure Losses



## SPECIFICATION DATA

Type	MVM 315	MVM 400	MVM 500	MVM 630	MVM 800	
<b>Displacement, cm<sup>3</sup>/rev [in<sup>3</sup>/rev]</b>	314,5 [19.19]	400,9 [24.5]	499,6 [30.5]	629,1 [38.38]	801,8 [48.91]	
<b>Max. Speed, [RPM]</b>	cont.	636	500	400	315	250
	Int.*	763	600	480	380	300
<b>Max. Torque daNm [lb-in]</b>	cont.	115 [10180]	144 [12745]	180 [15930]	227 [20090]	259 [22920]
	Int.*	160 [14160]	200 [17700]	260 [23010]	310 [27440]	340 [30090]
	peak**	180 [15930]	230 [20355]	286 [25315]	360 [31860]	402 [35580]
<b>Max. Output kW [HP]</b>	cont.	67 [90]	67 [90]	67 [90]	67 [90]	67 [90]
	int.*	112 [150]	112 [150]	112 [150]	112 [150]	112 [150]
<b>Max. Pressure Drop bar [PSI]</b>	cont.	250 [3630]	250 [3630]	250 [3630]	250 [3630]	225 [3263]
	Int.*	350 [5080]	350 [5080]	350 [5080]	350 [5080]	300 [4350]
	peak**	400 [5800]	400 [5800]	400 [5800]	400 [5800]	350 [5080]
<b>Max. Oil Flow lpm [GPM]</b>	cont.	200 [52.8]	200 [52.8]	200 [52.8]	200 [52.8]	200 [52.8]
	Int.*	240 [63.4]	240 [63.4]	240 [63.4]	240 [63.4]	240 [63.4]
<b>Max. Inlet Pressure bar [PSI]</b>	cont.	270 [3915]	270 [3915]	270 [3915]	270 [3915]	270 [3915]
	Int.*	370 [5365]	370 [5365]	370 [5365]	370 [5365]	370 [5365]
	peak**	420 [6090]	420 [6090]	420 [6090]	420 [6090]	420 [6090]
<b>Max. Return Pressure with Drain Line bar [PSI]</b>	cont.	140 [2030]	140 [2030]	140 [2030]	140 [2030]	140 [2030]
	Int.*	175 [2540]	175 [2540]	175 [2540]	175 [2540]	175 [2540]
	peak**	210 [3045]	210 [3045]	210 [3045]	210 [3045]	210 [3045]
<b>Max. Starting Pressure with Unloaded Shaft, bar [PSI]</b>	5 [70]	5 [70]	5 [70]	5 [70]	5 [70]	
<b>Min. Starting Torque daNm [lb-in]</b>	92 [8140]	115 [10180]	144 [12745]	180 [15930]	205 [18145]	
<b>Min. Speed***, [RPM]</b>	10	6	8	6	5	
<b>Weight, kg [lb]</b>	41,3 [91]	42,1 [93]	43 [95]	44,5 [98]	46 [101.4]	

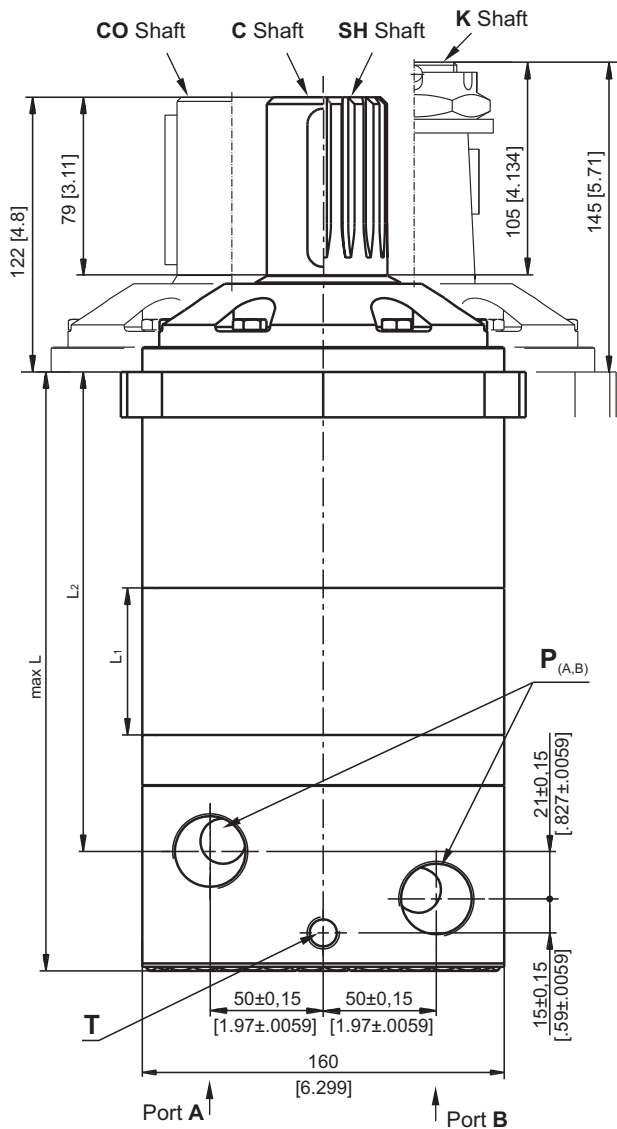
\* Intermittent operation: the permissible values may occur for max. 10% of every minute.

\*\* Peak load: the permissible values may occur for max. 1% of every minute.

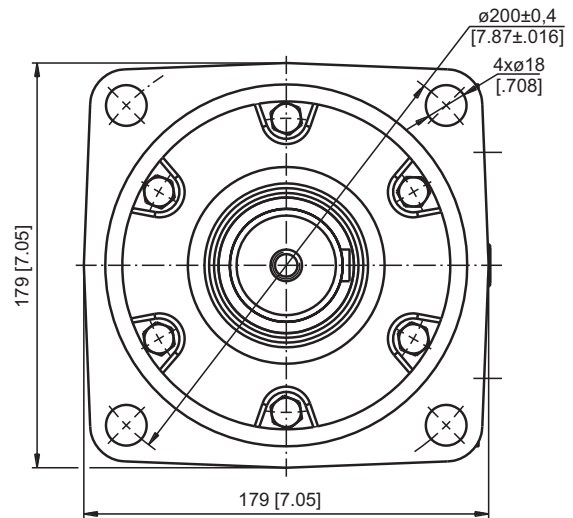
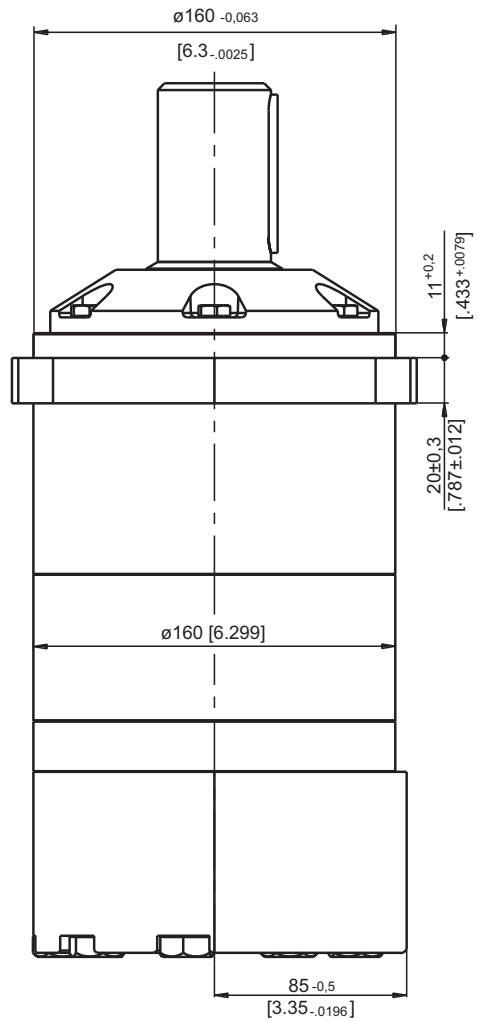
\*\*\* For speeds lower than given, consult factory or your regional manager.

1. Intermittent speed and intermittent pressure must not occur simultaneously.
2. Recommended filtration is per ISO cleanliness code 20/16. A nominal filtration of 25 micron or better.
3. Recommend using a premium quality, anti-wear type mineral based hydraulic oil HLP (DIN51524) or HM (ISO 6743/4). If using synthetic fluids consult the factory for alternative seal materials.
4. Recommended minimum oil viscosity 13 mm<sup>2</sup>/s [70 SUS] at 50°C [122°F].
5. Recommended maximum system operating temperature is 82°C [180°F].
6. To assure optimum motor life fill with fluid prior to loading and run at moderate load and speed for 10-15 minutes.

**DIMENSIONS AND MOUNTING DATA**



Shaft Dim.  
See Page 41



	Versions	
	2	4
<b>P<sub>(A,B)</sub></b>	2xG1	2x1 <sup>5</sup> / <sub>16</sub> -12UN
<b>T</b>	G <sup>1</sup> / <sub>4</sub>	9 <sup>16</sup> / <sub>16</sub> -18UNF

**Warning:** Drain line should always be used.

Type	L, mm [in]	L <sub>2</sub> , mm [in]	L <sub>1</sub> , mm [in]
MVM 315	226,5 [8.92]	172,5 [6.79]	25,5 [1.00]
MVM 400	233,5 [9.19]	179,5 [7.07]	32,5 [1.28]
MVM 500	241,5 [9.51]	187,5 [7.38]	40,5 [1.59]
MVM 630	252 [9.92]	198 [7.79]	51 [2.01]
MVM 800	266 [10.47]	212 [8.35]	65 [2.56]

**Standard Rotation**  
Viewed from Shaft End  
Port A Pressurized - CW  
Port B Pressurized - CCW

**Reverse Rotation**  
Viewed from Shaft End  
Port A Pressurized - CCW  
Port B Pressurized - CW

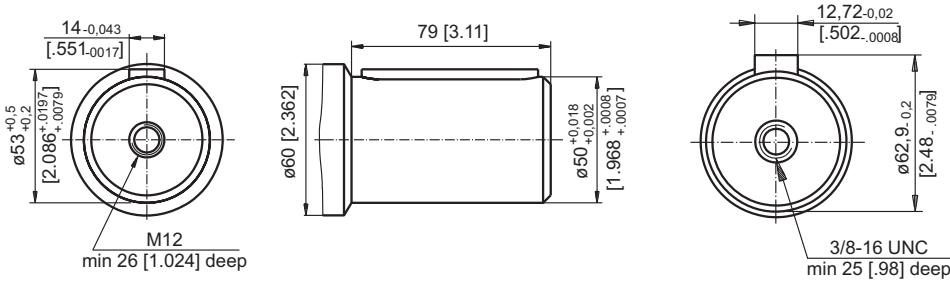




**SHAFT EXTENSIONS**

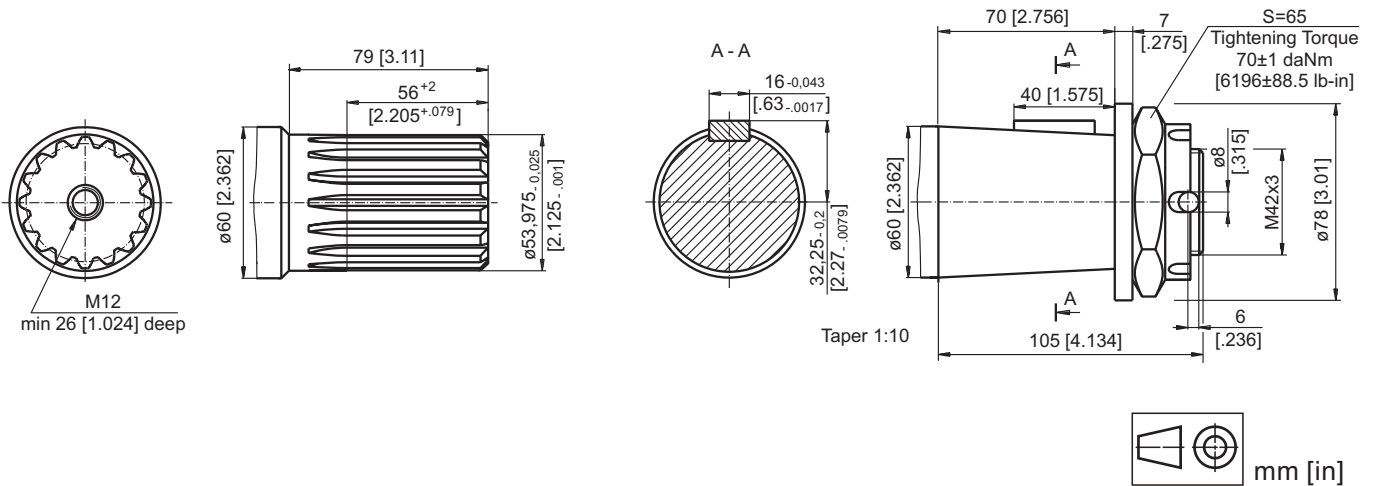
**C** -  $\varnothing 50$  straight, Parallel key A14x9x70 DIN 6885

**CO** -  $\varnothing 2\frac{1}{4}$  [57,15] straight, Parallel key  $\frac{1}{2}$  "x $\frac{1}{2}$ "x  $2\frac{1}{4}$ " BS46



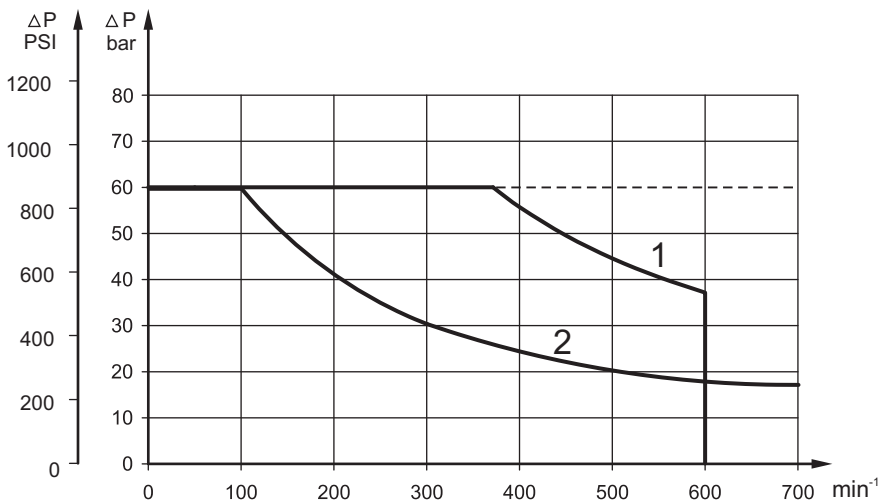
**SH** -  $\varnothing 2\frac{1}{8}$ "splined, 16 DP 8/16 ANS B92.1-1976

**K** - tapered 1:10, Parallel key B16x10x32 DIN 6885



**MAX. PERMISSIBLE SHAFT SEAL PRESSURE**

**Max. return pressure without drain line or  
max. pressure in the drain line**

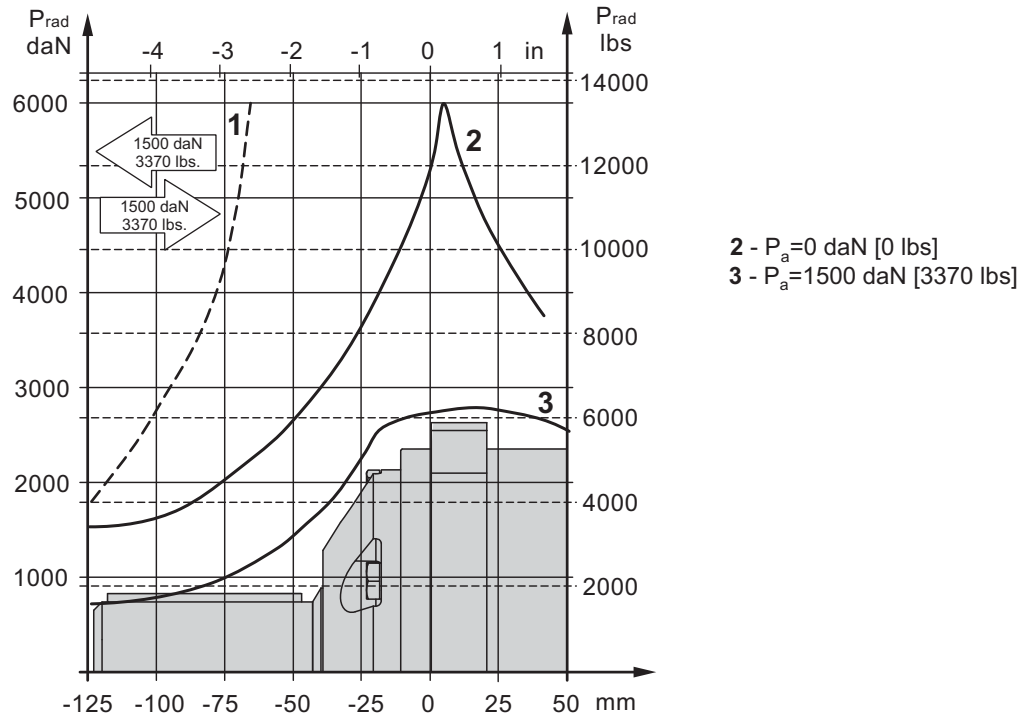


1: Drawing for High Pressure Seal ("U" Seal)  
2: Drawing for Standard Shaft Seal

— - continuous operations  
- - - - intermittent operations

## PERMISSIBLE SHAFT LOADS

The output shaft runs in tapered bearings that permit high axial and radial forces. Curve "1" shows max. radial shaft load. Any shaft load exceeding the values shown by the curve will seriously reduce motor life. The two other curves apply to a B10 bearing life of 3000 hours at 200 RPM.



### ORDER CODE

	1	2	3	4	5	6	7
<b>M V M</b>						<b>HD</b>	

#### Pos.1 - Displacement code

<b>315</b>	- 314,5 cm <sup>3</sup> /rev [19.8 in <sup>3</sup> /rev]
<b>400</b>	- 400,9 cm <sup>3</sup> /rev [24.45 in <sup>3</sup> /rev]
<b>500</b>	- 499,6 cm <sup>3</sup> /rev [30.48 in <sup>3</sup> /rev]
<b>630</b>	- 629,1 cm <sup>3</sup> /rev [38.38 in <sup>3</sup> /rev]
<b>800</b>	- 801,8 cm <sup>3</sup> /rev [48.91 in <sup>3</sup> /rev]

#### Pos.2 - Shaft Extensions\*

<b>C</b>	- $\varnothing 50$ straight, Parallel key A14x9x70 DIN6885
<b>CO</b>	- $\varnothing 2\frac{1}{4}$ " straight, Parallel key $\frac{1}{2}$ "x $\frac{1}{2}$ "x $2\frac{1}{4}$ " BS 46
<b>SH</b>	- $\varnothing 2\frac{1}{8}$ " splined, ANSI B92.1-1976
<b>K</b>	- $\varnothing 60$ tapered 1:10, Parallel key B16x10x32 DIN6885

#### Pos.3 - Ports

<b>2</b>	- side ports, 2xG1, G1/4, BSP thread, ISO 228
<b>4</b>	- side ports, 2x1 5/16-12 UN, O-ring, 9/16-18 UNF

#### Pos.4 - Check Valves

	omit - without check valves
<b>1</b>	- with check valves

#### Pos.5 - Shaft Seal Version (see page 41)

	omit - Low pressure shaft seal
<b>U</b>	- High pressure shaft seal

#### Pos.6 - Special Features (see page 52)

<b>HD</b>	- Reinforced motor HD** For Other <b>Special Features</b> see page 52
-----------	--

#### Pos.7 - Design Series

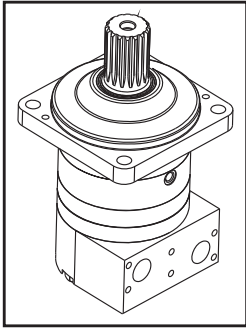
	omit - Factory specified
--	--------------------------

#### NOTES:

- \* The permissible output torque for shafts must not be exceeded!
- \*\* Drain line should always be used.

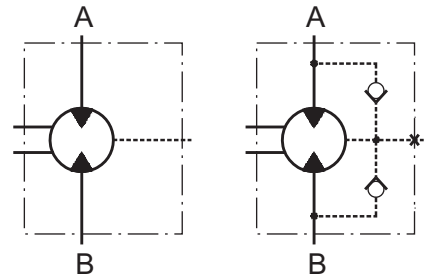
The hydraulic motors are mangano-phosphatized as standard.

# HYDRAULIC MOTORS MVMC



## OPTIONS

- » Model - Disc valve, roll-gerotor
- » Flange mount with wheel mount
- » Side ports
- » Shafts - straight, splined and tapered
- » Metric, SAE and BSPP ports
- » Other special features



## CONTENTS

Specification data .....	44
Dimensions and mounting .....	45
Shaft extensions .....	46
Permissible shaft Seal Pressure ....	46
Permissible shaft loads .....	47
Order code .....	47

## EXCELLENCE

- » High torque and pressure drop
- » High inlet pressure
- » High starting torque
- » Improved efficiency at high pressure drop and frequent reversing
- » Smooth operation at low speed
- » High radial and axial bearing capacity

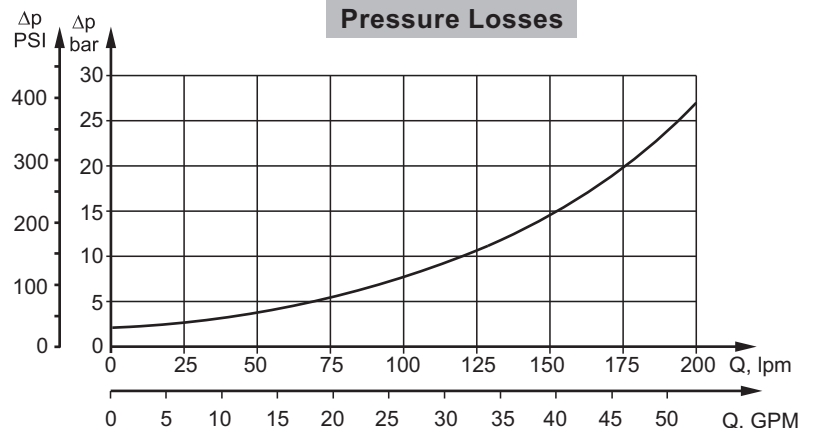
## GENERAL

<b>Max. Displacement,</b> cm <sup>3</sup> /rev [in <sup>3</sup> /rev]	801,8 [48.91]
<b>Max. Speed,</b> [RPM]	763
<b>Max. Torque,</b> daNm [lb-in]	cont.: 259 [22920] int.: 340 [30090]
<b>Max. Output,</b> kW [HP]	112 [150]
<b>Max. Pressure Drop,</b> bar [PSI]	cont.: 250 [3630] int.: 350 [5080]
<b>Max. Oil Flow,</b> lpm [GPM]	240 [63.4]
<b>Min. Speed,</b> [RPM]	5
<b>Permissible Shaft Loads,</b> daN [lbs]	Pa=1500 [3370]
<b>Pressure fluid</b>	Mineral based- HLP(DIN 51524) or HM(ISO 6743/4)
<b>Temperature range,</b> °C [°F]	-40÷140 [-40÷284]
<b>Optimal Viscosity range,</b> mm <sup>2</sup> /s [SUS]	20÷75 [98÷347]
<b>Filtration</b>	ISO code 20/16 (Min. recommended fluid filtration of 25 microns)

### Oil flow in drain line

Pressure drop bar [PSI]	Viscosity mm <sup>2</sup> /s [SUS]	Oil flow in drain line lpm [GPM]
140 [2030]	20 [98]	3 [.793]
	35 [164]	2 [.528]
210 [3045]	20 [98]	6 [1.585]
	35 [164]	4 [1.057]

### Pressure Losses



## SPECIFICATION DATA

Type	MVMC 315	MVMC 400	MVMC 500	MVMC 630	MVMC 800	
<b>Displacement, cm<sup>3</sup>/rev [in<sup>3</sup>/rev]</b>	314,5 [19.18]	400,9 [24.5]	499,6 [30.5]	629,1 [38.38]	801,8 [48.91]	
<b>Max. Speed, [RPM]</b>	cont.	636	500	400	315	250
	Int.*	736	600	480	380	300
<b>Max. Torque daNm [lb-in]</b>	cont.	115 [10180]	144 [12745]	180 [15930]	227 [20090]	259 [22920]
	Int.*	160 [14160]	200 [17700]	260 [23010]	310 [27440]	340 [30090]
	peak**	180 [15930]	230 [20355]	286 [25315]	360 [31860]	402 [35580]
	start	92 [8143]	115 [10180]	144 [12745]	180 [15930]	205 [18144]
<b>Max. Output kW [HP]</b>	cont.	67 [90]	67 [90]	67 [90]	67 [90]	67 [90]
	int.*	112 [150]	112 [150]	112 [150]	112 [150]	112 [150]
<b>Max. Pressure Drop bar [PSI]</b>	cont.	250 [3630]	250 [3630]	250 [3630]	250 [3630]	225 [3263]
	Int.*	350 [5080]	350 [5080]	350 [5080]	350 [5080]	300 [4350]
	peak**	400 [5800]	400 [5800]	400 [5800]	400 [5800]	350 [5080]
<b>Max. Oil Flow lpm [GPM]</b>	cont.	200 [52.8]	200 [52.8]	200 [52.8]	200 [52.8]	200 [52.8]
	Int.*	240 [63.4]	240 [63.4]	240 [63.4]	240 [63.4]	240 [63.4]
<b>Max. Starting Pressure with Unloaded Shaft, bar [PSI]</b>	5 [70]	5 [70]	5 [70]	5 [70]	5 [70]	
<b>Drain Pressure, bar [PSI]</b>	P <sub>atm.</sub>					
<b>Weight, kg [lb]</b>	43,8 [96.6]	44,9 [99]	45,8 [101]	48,3 [106.5]	50,4 [111.1]	

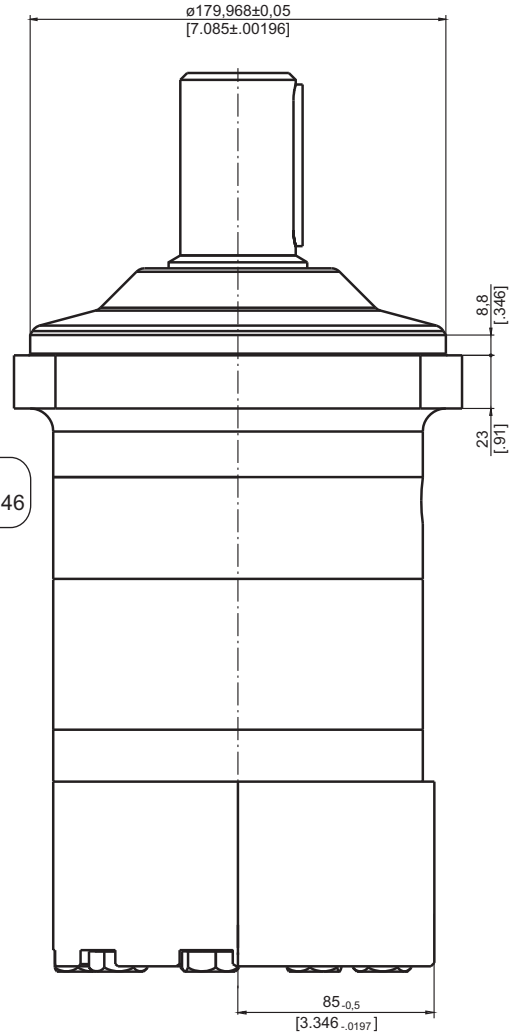
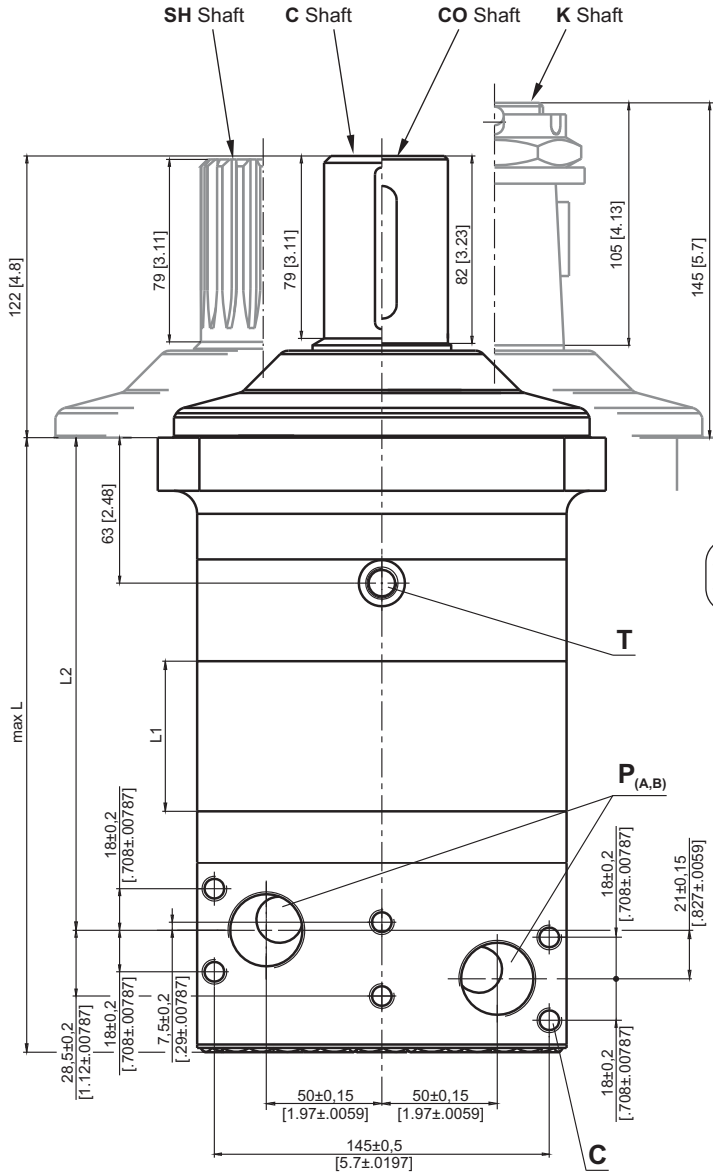
\* Intermittent operation: the permissible values may occur for max. 10% of every minute.

\*\* Peak load: the permissible values may occur for max. 1% of every minute.

\*\*\* For speeds of 5 RPM lower than given, consult factory or your regional manager.

1. Intermittent speed and intermittent pressure must not occur simultaneously.
2. Recommended filtration is per ISO cleanliness code 20/16. A nominal filtration of 25 micron or better.
3. Recommend using a premium quality, anti-wear type mineral based hydraulic oil, HLP(DIN51524) or HM(ISO6743/4). If using synthetic fluids consult the factory for alternative seal materials.
4. Recommended minimum oil viscosity 13 cm<sup>2</sup>/s [70 SUS] at 50°C [122°F].
5. Recommended maximum system operating temperature is 82°C [180°F].
6. To assure optimum motor life fill with fluid prior to loading and run at moderate load and speed for 10-15 minutes.

## DIMENSIONS AND MOUNTING DATA



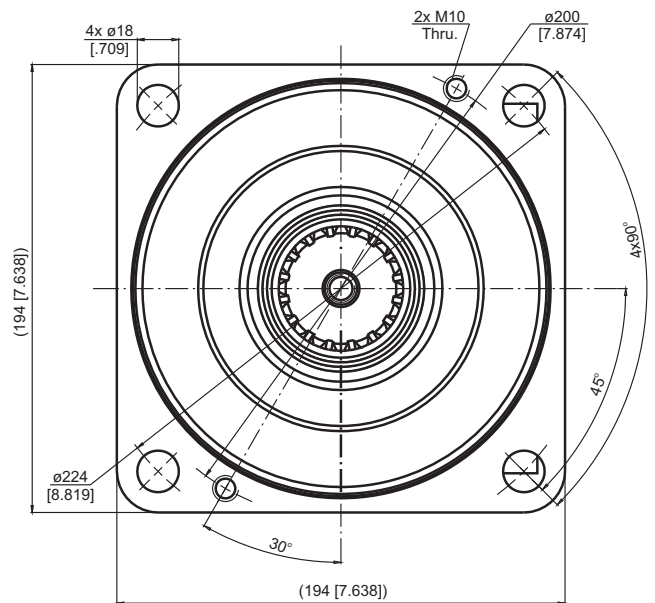
Shaft Dim.  
See Page 46



Versions	
	3
P(A,B)	2xG1
T	G $\frac{1}{4}$
C	6xM10

**Warning:** Drain line should always be used.

Type	L, mm [in]	L <sub>2</sub> , mm [in]	L <sub>1</sub> , mm [in]
MVMC 315	227,5 [8.957]	174,0 [6.850]	25,5 [1.00]
MVMC 400	234,5 [9.232]	181,0 [7.126]	32,5 [1.28]
MVMC 500	242,5 [9.547]	189,0 [7.441]	40,5 [1.59]
MVMC 630	253,0 [9.961]	199,5 [7.854]	51,0 [2.01]
MVMC 800	267,0 [10.518]	213,5 [8.405]	65,0 [2.56]



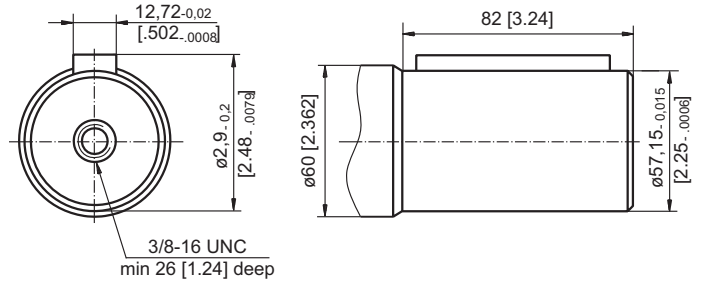
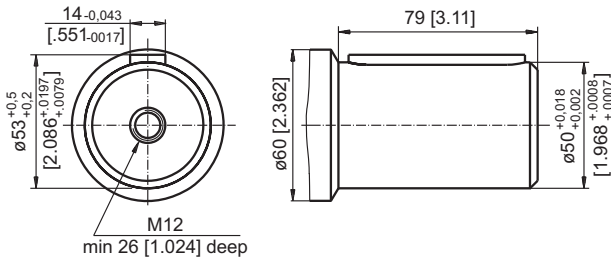
**Standard Rotation**  
Viewed from Shaft End  
Port A Pressurized - CW  
Port B Pressurized - CCW

**Reverse Rotation**  
Viewed from Shaft End  
Port A Pressurized - CCW  
Port B Pressurized - CW

**SHAFT EXTENSIONS**

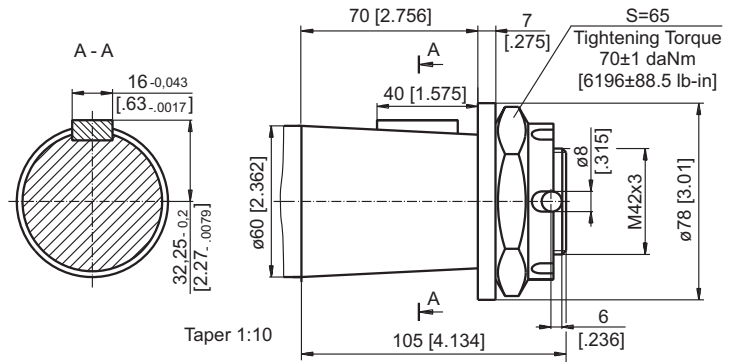
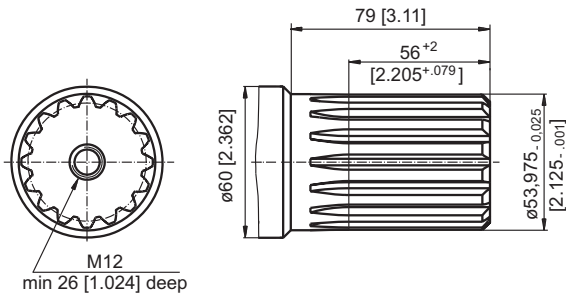
**C** -  $\varnothing 50$  straight, Parallel key A14x9x70 DIN 6885

**CO** -  $\varnothing 2\frac{1}{4}$ " [57, 15] straight, Parallel key  $\frac{1}{2}$ " x  $\frac{1}{2}$ " x  $2\frac{1}{4}$ " BS46



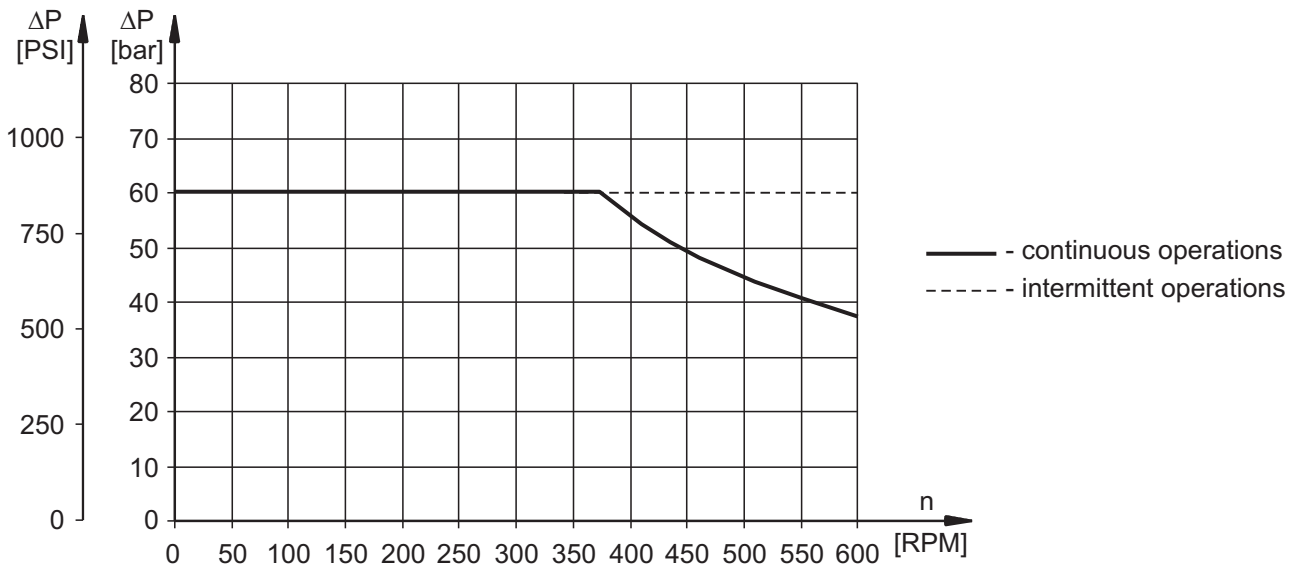
**SH** -  $\varnothing 2\frac{1}{8}$ " splined, 16 DP 8/16 ANS B92.1-1976

**K** - tapered 1:10, Parallel key B16x10x32 DIN 6885



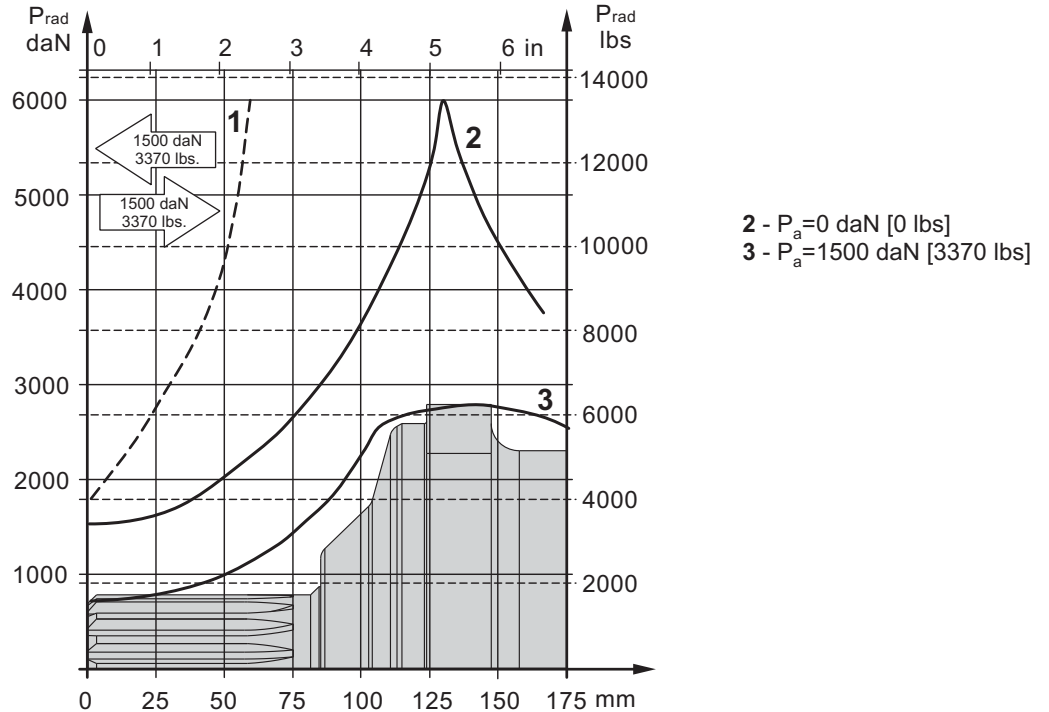
**MAX. PERMISSIBLE SHAFT SEAL PRESSURE**

Max. return pressure without drain line or  
max. pressure in the drain line



## PERMISSIBLE SHAFT LOADS

The output shaft runs in tapered bearings that permit high axial and radial forces. Curve "1" shows max. radial shaft load. Any shaft load exceeding the values quoted in the curve will seriously reduce motor life. The two other curves apply to a B10 bearing life of 3000 hours at 200 RPM.



## ORDER CODE

	1	2	3	4	5	6
<b>M V M C</b>					<b>HD</b>	

### Pos.1 - Displacement code

- 315** - 314,5 cm<sup>3</sup>/rev [19.8 in<sup>3</sup>/rev]
- 400** - 400,9 cm<sup>3</sup>/rev [24.45 in<sup>3</sup>/rev]
- 500** - 499,6 cm<sup>3</sup>/rev [30.48 in<sup>3</sup>/rev]
- 630** - 629,1 cm<sup>3</sup>/rev [38.38 in<sup>3</sup>/rev]
- 800** - 801,8 cm<sup>3</sup>/rev [48.91 in<sup>3</sup>/rev]

### Pos.2 - Shaft Extensions\*

- C** - ø50 straight, Parallel key A14x9x70 DIN6885
- CO** - ø2<sup>1</sup>/<sub>4</sub>" straight, Parallel key 1<sup>1</sup>/<sub>2</sub>"x1<sup>1</sup>/<sub>2</sub>"x2<sup>1</sup>/<sub>4</sub>" BS46
- SH** - ø2<sup>1</sup>/<sub>8</sub>" splined, ANSI B92.1-1976
- K** - ø60 tapered 1:10, Parallel key B16x10x32 DIN6885

### Pos.3 - Ports

- 3** - side ports 2xG1, G1/4, BSP thread, ISO 228, 6xM10

### Pos.4 - Check Valves

- omit - without check valves
- 1** - with check valves

### Pos.5 - Special Features

- HD** - Reinforced motor HD\*\*  
For Other **Special Features** [see page 52](#)

### Pos.6 - Design Series

- omit - Factory specified

### NOTES:

- \* The permissible output torque for shafts must not be exceeded!
- \*\* Drain line should always be used.

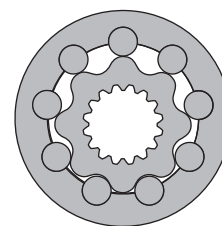
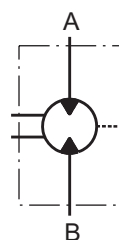
The hydraulic motors are manganophosphatized as standard.

# HYDRAULIC MOTORS VMF



## APPLICATION

- » Marine equipment
- » Forestry equipment
- » Metal working machines
- » Agricultural machines
- » Road building machines
- » Mining machinery
- » Special vehicles etc.



## CONTENTS

Specification data .....	49
Dimensions and mounting .....	50
Permissible shaft seal pressure .....	50
Permissible shaft loads .....	51
Order code .....	51

## OPTIONS

- » Model - Disc valve, roll-gerotor
- » Wheel mounting flange
- » Side ports
- » Shaft - thread hole flange
- » SAE and BSPP ports
- » Other special features

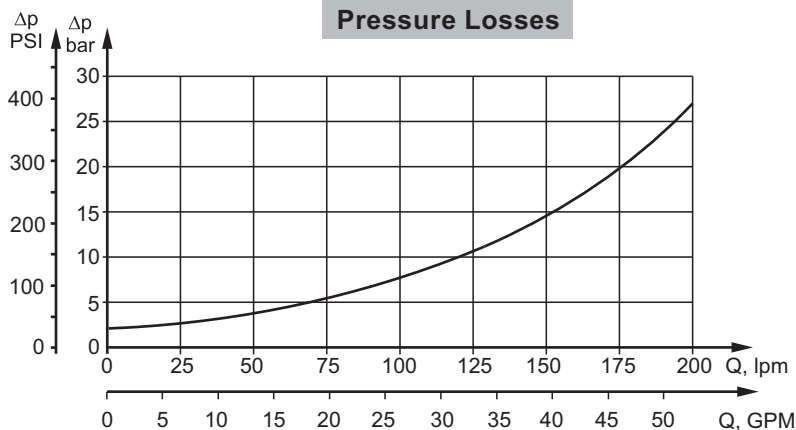
## GENERAL

<b>Max. Displacement,</b> cm <sup>3</sup> /rev [in <sup>3</sup> /rev]	801,8 [48.91]
<b>Max. Speed,</b> [RPM]	736
<b>Max. Torque,</b> daNm [lb-in]	cont.: 259 [22920] int.: 340 [30090]
<b>Max. Output,</b> kW [HP]	112 [150]
<b>Max. Pressure Drop,</b> bar [PSI]	cont.: 250 [3630] int.: 350 [5080]
<b>Max. Oil Flow,</b> lpm [GPM]	240 [63.4]
<b>Min. Speed,</b> [RPM]	5
<b>Permissible Shaft Loads,</b> daN [lbs]	Pa=1500 [3370]
<b>Pressure fluid</b>	Mineral based- HLP(DIN 51524) or HM(ISO 6743/4)
<b>Temperature range,</b> °C [°F]	-40÷140 [-40÷284]
<b>Optimal Viscosity range,</b> mm <sup>2</sup> /s [SUS]	20÷75 [98÷347]
<b>Filtration</b>	ISO code 20/16 (Min. recommended fluid filtration of 25 microns)

### Oil flow in drain line

Pressure drop bar [PSI]	Viscosity mm <sup>2</sup> /s [SUS]	Oil flow in drain line lpm [GPM]
140 [2030]	20 [98]	3 [.793]
	35 [164]	2 [.528]
210 [3045]	20 [98]	6 [1.585]
	35 [164]	4 [1.057]

### Pressure Losses





## SPECIFICATION DATA

Type	VMF 315	VMF 400	VMF 500	VMF 630	VMF 800	
<b>Displacement, cm<sup>3</sup>/rev [in<sup>3</sup>/rev]</b>	314,5 [19.18]	400,9 [24.5]	499,6 [30.5]	629,1 [38.38]	801,8 [48.91]	
<b>Max. Speed, [RPM]</b>	cont.	636	500	400	315	250
	Int.*	736	600	480	380	300
<b>Max. Torque daNm [lb-in]</b>	cont.	115 [10180]	144 [12745]	180 [15930]	227 [20090]	259 [22920]
	Int.*	160 [14160]	200 [17700]	260 [23010]	310 [27440]	340 [30090]
	peak**	180 [15930]	230 [20355]	286 [25315]	360 [31860]	402 [35580]
<b>Max. Output kW [HP]</b>	cont.	67 [90]	67 [90]	67 [90]	67 [90]	67 [90]
	int.*	112 [150]	112 [150]	112 [150]	112 [150]	112 [150]
<b>Max. Pressure Drop bar [PSI]</b>	cont.	250 [3630]	250 [3630]	250 [3630]	250 [3630]	225 [3263]
	Int.*	350 [5080]	350 [5080]	350 [5080]	350 [5080]	300 [4350]
	peak**	400 [5800]	400 [5800]	400 [5800]	400 [5800]	350 [5080]
<b>Max. Oil Flow lpm [GPM]</b>	cont.	200 [52.8]	200 [52.8]	200 [52.8]	200 [52.8]	200 [52.8]
	Int.*	240 [63.4]	240 [63.4]	240 [63.4]	240 [63.4]	240 [63.4]
<b>Max. Inlet Pressure bar [PSI]</b>	cont.	270 [3915]	270 [3915]	270 [3915]	270 [3915]	270 [3915]
	Int.*	370 [5365]	370 [5365]	370 [5365]	370 [5365]	370 [5365]
	peak**	420 [6090]	420 [6090]	420 [6090]	420 [6090]	420 [6090]
<b>Max. Return Pressure with Drain Line bar [PSI]</b>	cont.	140 [2030]	140 [2030]	140 [2030]	140 [2030]	140 [2030]
	Int.*	175 [2540]	175 [2540]	175 [2540]	175 [2540]	175 [2540]
	peak**	210 [3045]	210 [3045]	210 [3045]	210 [3045]	210 [3045]
<b>Max. Starting Pressure with Unloaded Shaft, bar [PSI]</b>	5 [70]	5 [70]	5 [70]	5 [70]	5 [70]	
<b>Min. Starting Torque daNm [lb-in]</b>	92 [8140]	115 [10180]	144 [12745]	180 [15930]	205 [18145]	
<b>Min. Speed***, [RPM]</b>	10	6	8	6	5	
<b>Weight, kg [lb]</b>	46 [101.4]	47,2 [104,1]	48,5 [106.9]	50 [110.2]	51,5 [113.5]	

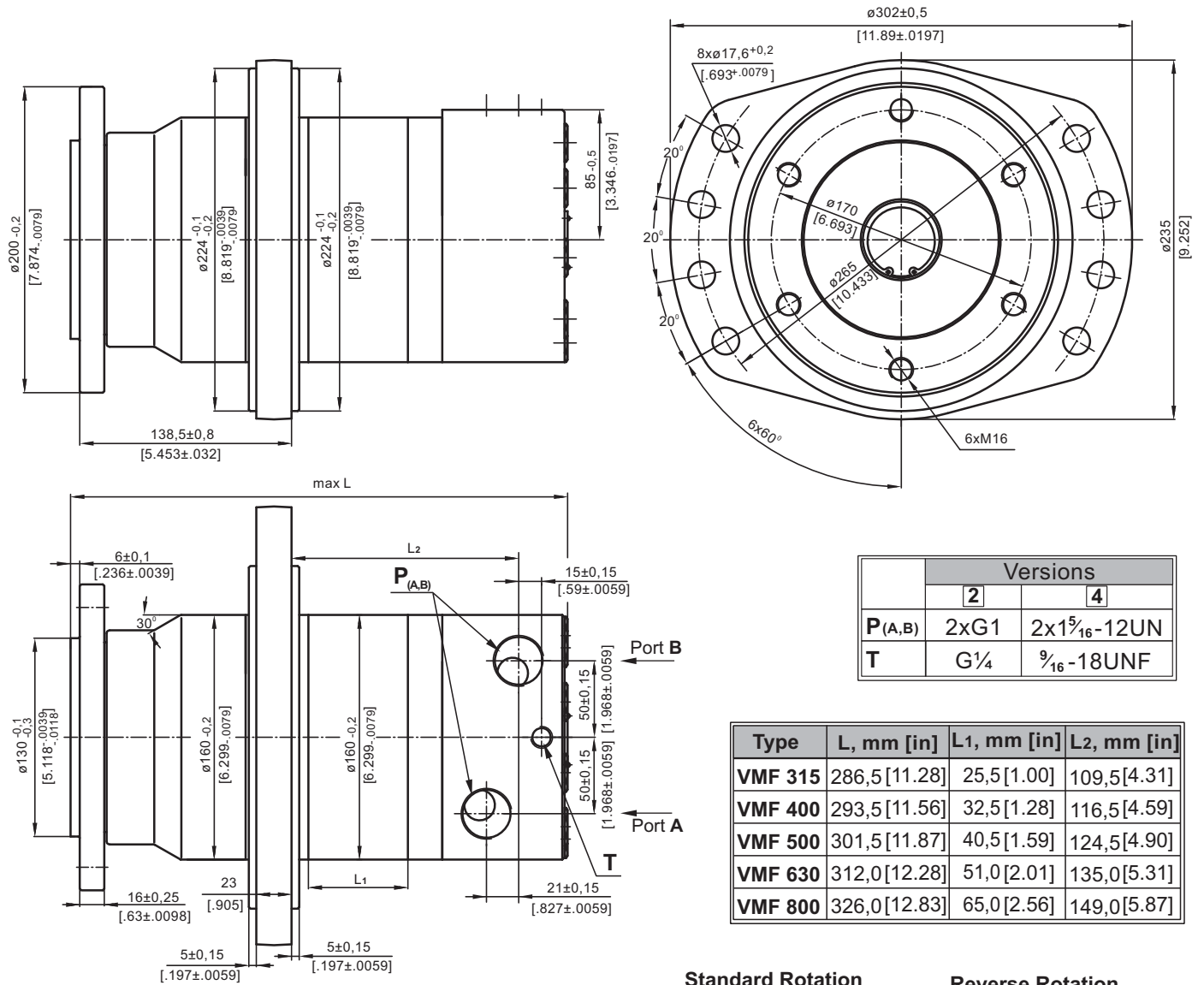
\* Intermittent operation: the permissible values may occur for max. 10% of every minute.

\*\* Peak load: the permissible values may occur for max. 1% of every minute.

\*\*\* For speeds lower than given, consult factory or your regional manager.

1. Intermittent speed and intermittent pressure must not occur simultaneously.
2. Recommended filtration is per ISO cleanliness code 20/16. A nominal filtration of 25 micron or better.
3. Recommend using a premium quality, anti-wear type mineral based hydraulic oil HLP(DIN51524) or HM ( ISO 6743/4).  
If using synthetic fluids consult the factory for alternative seal materials.
4. Recommended minimum oil viscosity 13 mm<sup>2</sup>/s [70 SUS] at 50°C [122°F].
5. Recommended maximum system operating temperature is 82°C [180°F].
6. To assure optimum motor life fill with fluid prior to loading and run at moderate load and speed for 10-15 minutes.

**DIMENSIONS AND MOUNTING DATA**



	Versions	
	2	4
P(A,B)	2xG1	2x1 $\frac{5}{16}$ -12UN
T	G $\frac{1}{4}$	$\frac{9}{16}$ -18UNF

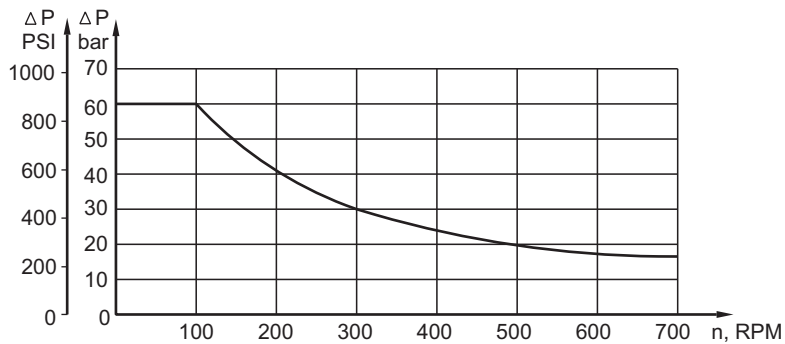
Type	L, mm [in]	L1, mm [in]	L2, mm [in]
VMF 315	286,5 [11.28]	25,5 [1.00]	109,5 [4.31]
VMF 400	293,5 [11.56]	32,5 [1.28]	116,5 [4.59]
VMF 500	301,5 [11.87]	40,5 [1.59]	124,5 [4.90]
VMF 630	312,0 [12.28]	51,0 [2.01]	135,0 [5.31]
VMF 800	326,0 [12.83]	65,0 [2.56]	149,0 [5.87]

**Standard Rotation**  
Viewed from Shaft End  
Port A Pressurized - CW  
Port B Pressurized - CCW

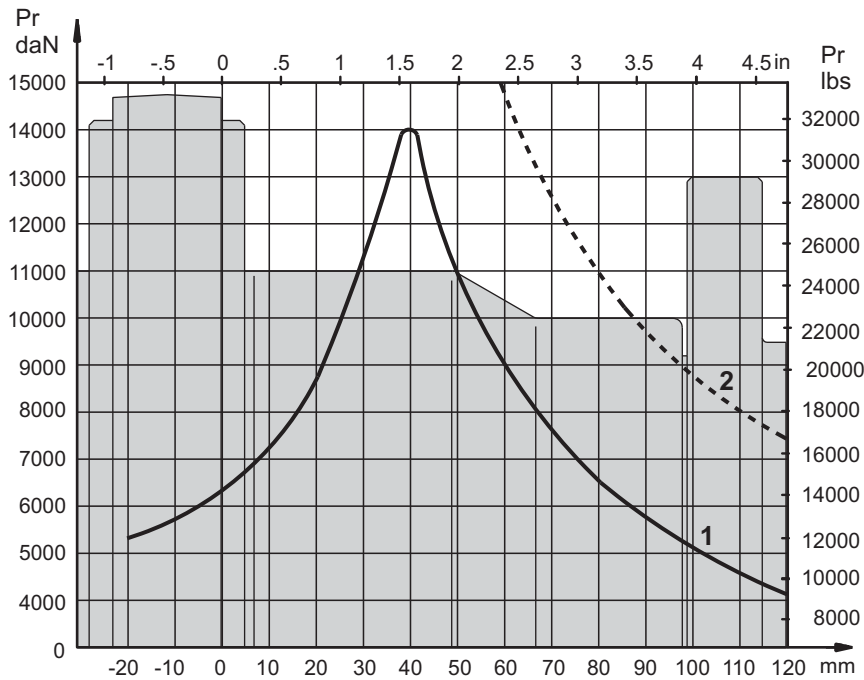
**Reverse Rotation**  
Viewed from Shaft End  
Port A Pressurized - CCW  
Port B Pressurized - CW

**Warning:** Drain line should always be used.

**MAX. PERMISSIBLE SHAFT SEAL PRESSURE**



**PERMISSIBLE SHAFT LOADS**



- 1 - Bearing curve: The curve applies to a B10 bearing life of 2000 hours at 100 RPM.
- 2 - Shaft curve: The curve represents Max. permissible radial shaft load with safety factor 2:1.

**ORDER CODE**

	1	2	3	4
<b>VMF</b>			<b>HD</b>	

**Pos.1 - Displacement code**

- 315** - 314,5 cm<sup>3</sup>/rev [19.18 in<sup>3</sup>/rev]
- 400** - 400,9 cm<sup>3</sup>/rev [24.45 in<sup>3</sup>/rev]
- 500** - 499,6 cm<sup>3</sup>/rev [30.48 in<sup>3</sup>/rev]
- 630** - 629,1 cm<sup>3</sup>/rev [38.38 in<sup>3</sup>/rev]
- 800** - 801,8 cm<sup>3</sup>/rev [48.91 in<sup>3</sup>/rev]

**Pos.2 - Ports**

- 2** - side ports, 2xG1, G<sup>1</sup>/<sub>4</sub>, BSP thread, ISO 228
- 4** - side ports, 2x1<sup>5</sup>/<sub>16</sub>-12 UN, O-ring, <sup>5</sup>/<sub>16</sub>-18 UNF

**Pos.3 - Special Features**

- HD** - Reinforced motor HD\*
- For Other **Special Features** [see page 52](#)

**Pos.4 - Design Series**

- omit - Factory specified

\* Drain line should always be used.  
The hydraulic motors are mangano-phosphatized as standard.

# MOTOR SPECIAL FEATURES

Special Feature Description	Order Code	Motor type						
		MSWM	MTK	MTM	TMF	MVM	MVMC	VMF
Speed Sensor*	RS	O	O	O	O	O	-	O
Reinforced motor	HD	-	S	S	S	S	S	S
Low Leakage	LL	O	O	O	O	O	O	O
Low Speed Valving	LSV	O	O	O	O	O	O	O
Free Running	FR	-	O	-	-	-	O	-
Reverse Rotation	R	O	O	O	O	O	O	O
Paint**	P	O	O	O	O	O	O	O
Corrosion Protected Paint**	PC	O	O	O	O	O	O	O
Special Paint***	PS	O	O	O	O	O	O	O
	PCS	O	O	O	O	O	O	O
Check Valves		S	O	O	-	O	O	-

<b>O</b>	Optional
<b>-</b>	Not applicable
<b>S</b>	Standard

\* For sensor ordering see pages 53÷54.

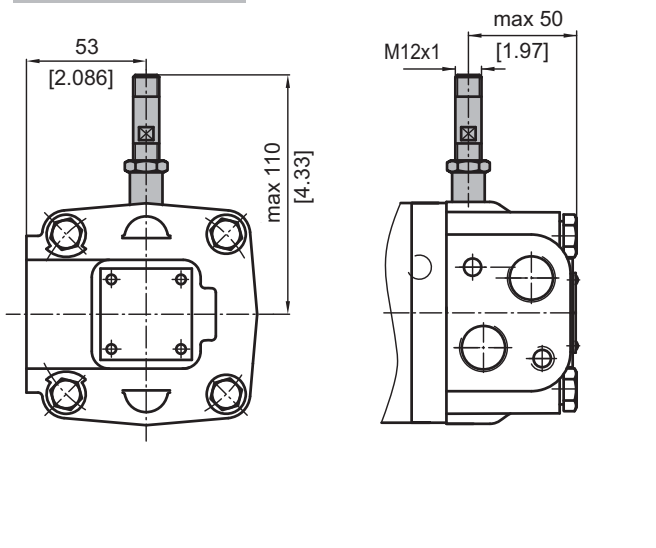
\*\* Colour at customer's request.

\*\*\* Non painted feeding surfaces, colour at customer's request.

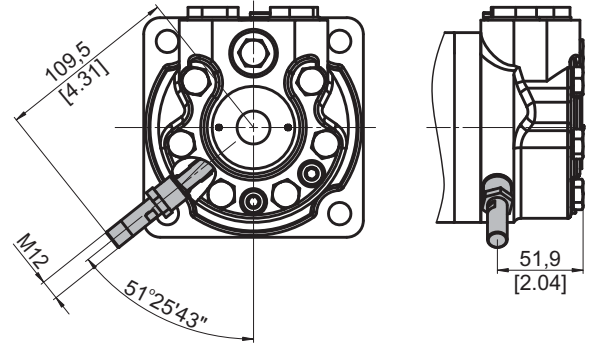
 For more information about **HD** option please contact with "M+S Hydraulic".

# MOTORS WITH SPEED SENSOR

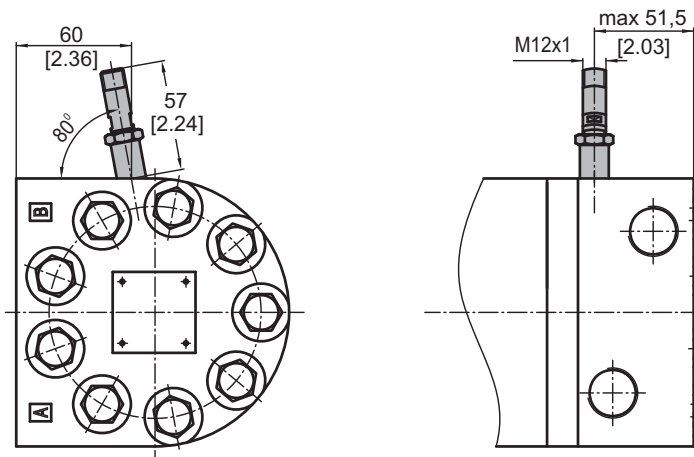
## MSWM...RS



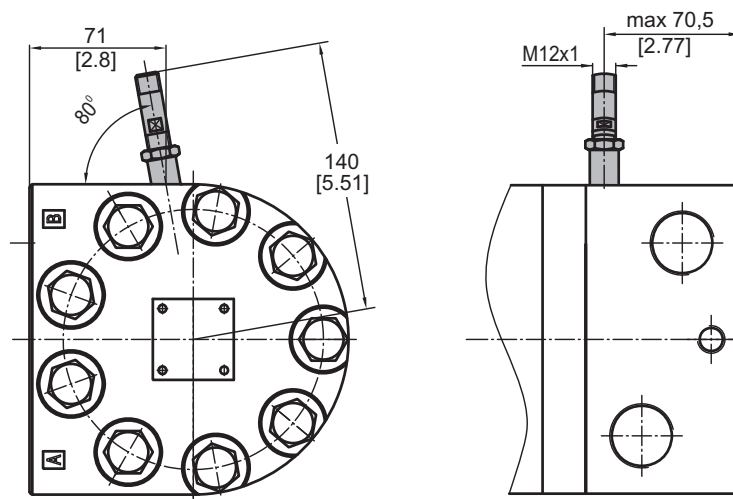
## MTK...RS



## MTM...RS TMF...RS



## MVM...RS VMF...RS

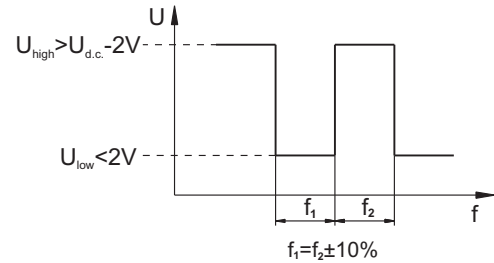


**TECHNICAL DATA OF THE SPEED SENSOR**

**Technical data**

Frequency range	0...15 000 Hz
Output	PNP, NPN
Power supply	10...36 VDC
Current input	20 mA (@24 VDC)
Ambient Temperature	-40...+125°C [-40...+257°F]
Protection	IP 67
Plug connector	M12-Series
Mounting principle	ISO 6149

**Output signal**

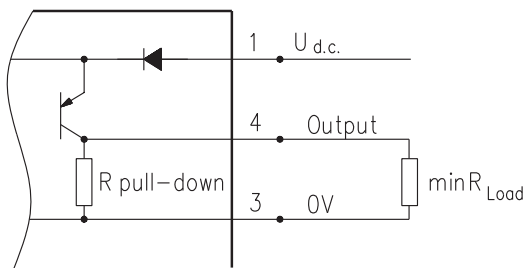


Load max.:  $I_{high} = I_{low} < 50\text{mA}$

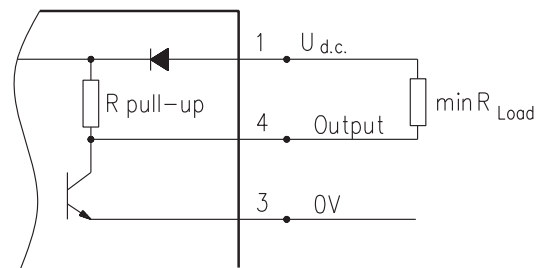
Motor type	<b>MSWM MTK</b>	<b>MTM TMF</b>	<b>MVM VMF</b>
Pulses per revolution	54	84	102

**Wiring diagrams**

**PNP**

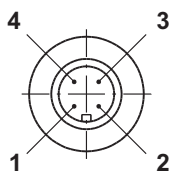


**NPN**



$$R_{Load} [\text{k}\Omega] = U_{d.c.} [\text{V}] / I_{max} [\text{mA}]$$

**Stick type**



Terminal No.	Connection	Cable Output
1	$U_{d.c.}$	Brown
2	No connection	White
3	0V	Blue
4	Output signal	Black

**Order Code for Speed Sensor**

Sensor Code	Output type	Electric connection
<b>RSN</b>	NPN	Connector BINDER 713 series
<b>RSP</b>	PNP	Connector BINDER 713 series
<b>RSNL5</b>	NPN	Cable output 3x0,25; 5 m [196 in] long
<b>RSPL5</b>	PNP	Cable output 3x0,25; 5 m [196 in] long

**NOTE:** \*- The speed sensor is not fitted at the factory, but is supplied in a plastic bag with the motor. For installation see enclosed instructions.

# APPLICATION CALCULATION

## VEHICLE DRIVE CALCULATIONS

### 1. Motor speed: $n$ , RPM

$$n = \frac{2,65 \times v_{km} \times i}{R_m} \quad n = \frac{168 \times v_{mi} \times i}{R_m}$$

$v_{km}$ - vehicle speed, km/h;

$v_{mi}$ - vehicle speed, mil/h;

$R_m$ - wheel rolling radius, m;

$R_m$ - wheel rolling radius, in;

$i$ - gear ratio between motor and wheels.

If no gearbox, use  $i=1$ .

### 2. Rolling resistance: $RR$ , daN [lbs]

The resistance force resulted in wheels contact with different surfaces:

$$RR = G \times \rho$$

$G$ - total weight loaded on vehicle, daN [lbs];

$\rho$ - rolling resistance coefficient (Table 1).

Table 1

Rolling resistance coefficient In case of rubber tire rolling on different surfaces	
Surface	$\rho$
Concrete- faultless	0.010
Concrete- good	0.015
Concrete- bad	0.020
Asphalt- faultless	0.012
Asphalt- good	0.017
Asphalt- bad	0.022
Macadam- faultless	0.015
Macadam- good	0.022
Macadam- bad	0.037
Snow- 5 cm	0.025
Snow- 10 cm	0.037
Polluted covering- smooth	0.025
Polluted covering- sandy	0.040
Mud	0.037÷0.150
Sand- Gravel	0.060÷0.150
Sand- loose	0.160÷0.300

### 3. Grade resistance: $GR$ , daN [lbs]

$$GR = G \times (\sin \alpha + \rho \times \cos \alpha)$$

$\alpha$ - gradient negotiation angle (Table 2)

Table 2

Grade %	$\alpha$ Degrees	Grade %	$\alpha$ Degrees
1%	0° 35'	12%	6° 5'
2%	1° 9'	15%	8° 31'
5%	2° 51'	20%	11° 19'
6%	3° 26'	25%	14° 3'
8%	4° 35'	32%	18°
10%	5° 43'	60%	31°

### 4. Acceleration force: $FA$ , daN [lbs]

Force  $FA$  necessary for acceleration from 0 to maximum speed  $v$  and time  $t$  can be calculated with a formula:

$$FA = \frac{v_{km} \times G}{3,6 \times t}, [\text{daN}] \quad FA = \frac{v_{mi} \times G}{22 \times t}, [\text{lbs}];$$

$FA$ - acceleration force, daN [lbs];

$t$ - time, [s].

### 5. Tractive effort: $DP$ , daN [lbs]

Tractive effort  $DP$  is the additional force of trailer. This value will be established as follows:

-acc. to constructor's assessment;

-as calculating forces in items 2, 3 and 4 of trailer; the calculated sum corresponds to the tractive effort requested.

### 6. Total tractive effort: $TE$ , daN [lbs]

Total tractive effort  $TE$  is total effort necessary for vehicle motion; that the sum of forces calculated in items from 2 to 5 and increased with 10 % because of air resistance.

$$TE = 1,1 \times (RR + GR + FA + DP)$$

$RR$  - force acquired to overcome the rolling resistance;

$GR$ - force acquired to slope upwards;

$FA$ - force acquired to accelerate (acceleration force);

$DP$ - additional tractive effort (trailer).

### 7. Motor Torque moment: $M$ , daNm [lb-in]

Necessary torque moment for every hydraulic motor:

$$M = \frac{TE \times R_m [R_m]}{N \times i \times h_m}$$

$N$ - motor numbers;

$h_m$ - mechanical gear efficiency (if it is available).

### 8. Cohesion between tire and road covering: $M_w$ , daNm [lb-in]

$$M_w = \frac{G_w \times f \times R_m [R_m]}{i \times h_m}$$

To avoid wheel slipping, the following condition should be observed  $M_w > M$

$f$  - frictional factor;

$G_w$ - total weight over the wheels, daN [lbs].

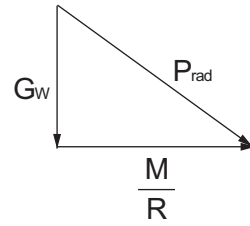
Table 3

Surface	Frictional factor $f$
Steel on steel	0.15 ÷ 0.20
Rubber tire on polluted surface	0.5 ÷ 0.7
Rubber tire on asphalt	0.8 ÷ 1.0
Rubber tire on concrete	0.8 ÷ 1.0
Rubber tire on grass	0.4

**9.Radial motor loading:  $P_{rad}$ , daN [lbs]**

When motor is used for vehicle motion with wheels mounted directly on motor shaft, the total radial loading of motor shaft  $P_{rad}$  is a sum of motion force and weight force acting on one wheel.

- $G_w$  - Weight held by wheel;
- $P_{rad}$  - Total radial loading of motor shaft;
- $M/R$  - Motion force.

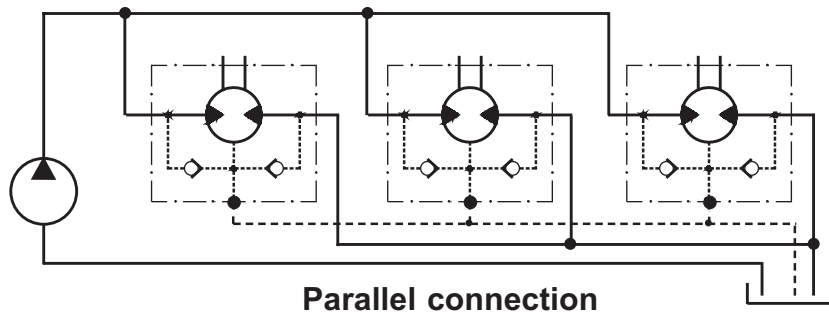
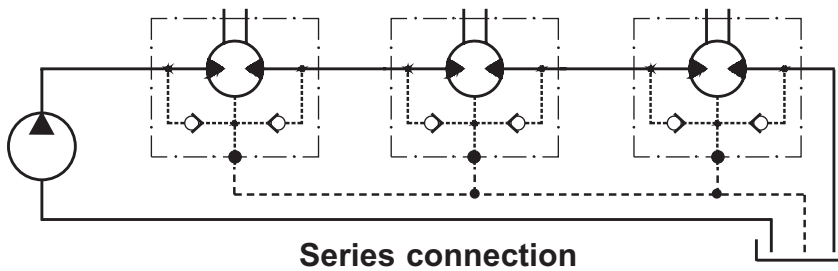


$$P_{rad} = \sqrt{G_w^2 + \left(\frac{M}{R}\right)^2}$$

In accordance with calculated loadings the suitable motor from the catalogue is selected.

**DRAINAGE SPACE AND DRAINAGE PRESSURE**

Advantages in oil drainage from drain space: Cleaning; Cooling and Seal lifetime prolonging.





# WARRANTY

M+S Hydraulic warrants, that its products, supplied directly to original equipment manufacturer, authorized distributor or other customer, will be free of defects in material or workmanship at the time of shipment from M+S Hydraulic and will conform to the products technical documentation (drawings and specifications) under sale agreement with Buyer.

This warranty will apply only to defects appearing within applicable Warranty period, mentioned below. If Buyer notifies M+S Hydraulic within the Warranty period about any such defects, M+S, at its sole option will replace or repair the defective products or their parts found by M+S Hydraulic to be defective in material or workmanship.

THE FOREGOING LIMITED WARRANTY IS AVAILABLE ONLY IF "M+S HYDRAULIC" IS PROMPTLY NOTIFIED IN WRITTEN OF THE ALLEGED DEFECT AND DOES NOT COVER FAILURE TO FUNCTION CAUSED BY DAMAGE TO THE PRODUCT, IMPROPER INSTALLATION, UNREASONABLE USE OR ABUSE OF THE PRODUCT, FAILURE TO PROVIDE OR USE OF IMPROPER MAINTENANCE OR USUAL, DEGRADATION OF THE PRODUCT DUE TO PHYSICAL ENVIRONMENTS OF AN USUAL NATURE. THE FOREGOING REMEDIES ARE THE SOLE AND EXCLUSIVE REMEDIES AVAILABLE TO CUSTOMER. To facilitate the inspection, M+S Hydraulic may require return of the product/part, which Buyer claims to be defective.

M+S Hydraulic shall not be liable for labor costs or any other expenses incurred during the disassembling or reinstalling of the product/part.

In case the claimed products are returned to M+S Hydraulic in bad condition: dirty, disassembled, with damaged or missing parts during transportation, the warranty will be considered as not applicable and the products will not be liable to repair.

## Warranty periods

**New products:** The Warranty period is limited to 24 consecutive months (2 years) from the date of production of the product.

**Repaired products:** If the product is repaired in M+S Hydraulic during its warranty period, the warranty period of the repaired item shall continue for the balance of original Warranty period or for a period equal to 50% of the original new product Warranty period, whichever is later.

**Spare parts:** The Warranty period for Spare parts is 12 consecutive months (1 year) from the dispatch date of such parts from M+S Hydraulic.

**LIMITATION OF LIABILITY** M+S Hydraulic's liability for claim of any kind, for loss or damage arising out of, connected with or resulting from an order, or from the performance or branch thereof, or from the design, manufacture, sale delivery, operation or use of any of its products shall be limited to, at M+S 's sole option, replacement, repair of any defective product or the issuance of a credit to Customer against any future purchases. Cash refunds will not be made under any circumstances and Customer will not be entitled to recover any damages of any kind against M+S Hydraulic, including but not limited to incidental or consequential damages, whether direct or indirect, known or unknown, foreseen or unforeseen.



**M+S HYDRAULIC**

68, Kozloduy St., 6100 Kazanlak, Bulgaria

Tel.: ++359 431 65167

++359 431 64271

Fax: +359 431 64114

E-Mail: [msh@ms-hydraulic.com](mailto:msh@ms-hydraulic.com)

URL: <http://www.ms-hydraulic.com>